

# HEISEY news

OFFICIAL PUBLICATION HEISEY COLLECTORS OF AMERICA  
Heisey Collectors of America, Inc.  
All Rights Reserved 1986

VOLUME XV NO. 10

OCTOBER 1986 ISSN 0731-8014



SEE PAGE 2

# NOTES FROM YOUR PRESIDENT, . . .

## HEISEY NEWS

P.O. BOX 27, NEWARK, OH 43055

### CLUB OFFICERS:

President	— Charles Wade, Jr.	—(614) 366-6636
Vice President	— Bob Rarey	—(614) 279-0390
Secretary	— Liz Stickle	—(614) 323-2250
Treasurer	— Betty Ann Barnard	—(614) 366-7002
Exec. Dir.	— Louise Ream	—(614) 345-2932

Editor: Louise Ream  
P.O. Box 27, Newark, Ohio 43055  
PH: (614) 345-2932

Assistant Editor: Neila Bredehoft  
P.O. Box 27, Newark, OH 43055  
PH: 614-345-2932

Published monthly and printed in Mt. Vernon, Ohio  
\$15.00 per year - \$1.25 per copy

Back Issues - Each Volume (12 issues) year - \$9.00.  
Volume V, VIII, IX, X, XI, XII, XIII & XIV

Heisey Collectors of America, Inc. is a non-profit corporation with tax exempt status. Owners and operators of National Heisey Glass Museum, 6th and Church Streets, Newark, Ohio.

Open daily 1-4 p.m. except holidays. Other hours by appointment. Members admitted free.

Club membership (includes 12 issues of HEISEY NEWS and participation in all club activities) \$15.00 per year plus \$2.50 for each additional family member in same household who wishes a membership card. For VOTING MEMBERSHIP, add \$25.00 one time only fee.

When requesting information, please enclose a self-addressed, stamped envelope (SASE).

ADVERTISING - Send all ads to:  
HCA - Advertising  
P.O. Box 27  
Newark, Ohio 43055

DOUBLE SPACE ALL ADS.

### RATES:

CLASSIFIED: 15¢ per word. \$1.50 minimum.  
ABBREVIATIONS AND INITIALS COUNT AS WORDS  
DEALER DIRECTORY: \$25 per year.

DISPLAY:	MEMBERS:	NON-MEMBERS:
1/8 Page ( 9 items)	\$20.00	\$25.00
1/4 Page (20 items)	30.00	37.00
1/2 Page (20 items) Hor.	45.00	55.00
1/2 Page (50 items) Vert.	60.00	65.00
1 Page (50 items)	75.00	85.00

Extra lines will be billed at \$1.00 per line. Personal ads limited to 1/8 space.

ALL ADS MUST BE PREPAID. Ad copy must be received by the 5th of the month preceding the publication date - i.e. April 5th for May issue. Ads containing reproductions will not knowingly be accepted unless clearly stated (i.e. Heisey by Imperial, etc.). HEISEY NEWS assumes no responsibility for false advertising or misleading information. In the event of typographical error, the incorrect portion of the ad will be run in the following issue, but HEISEY NEWS assumes no further liability.

The opinions expressed in articles in HEISEY NEWS are those of the authors and not necessarily those of the organization. The Editorial Staff reserves the right to edit or refuse any material submitted for publication. When requesting information, please enclose a self addressed stamped envelope. (SASE).

The September quarterly meeting and dinner is now past history, but I am sure it will be remembered for a long time by those who attended. Everyone really seemed to have a good time and the food, well, all I can say is if you weren't there you missed a very good meal. As usual, Eleanor Jackson did a great job in preparing the food. The auction was a success as Larry Stickle auctioned off some great pieces. Betty and Burl Whaley donated the proceeds (\$251.00) from their silent auction of two gold coins. Their money will be used for the keeping and maintenance of the moulds.

The Mini Show had a lot of nice glass available. Buyers were out early in anticipation for finding that one piece or pieces needed to fill out their collections. There were a lot of people who helped make the entire day's activities very enjoyable. To all of you - a big job well done and thanks!

\* \* \* \* \*

The Board of Directors gave approval for the installation of a smoke and heat detection system for the museum and office building. The total cost of this system will be approximately \$5,500.00. One generous individual has already promised a \$1,000.00 donation for this purpose. Since this is an unbudgeted project for 1986 and should be started as soon as possible, I would ask if a club or other individuals might be willing to donate funds to be used expressly for the fire alarm system. If so, please send your tax deductible donation to H.C.A. Fire System, P. O. Box 27, Newark, Ohio 43055. In case more money would be collected than needed, please indicate on your check if you would like the excess to go for the new museum paint job or returned to you.

Thank you,



### ABOUT THE COVER

#### Souvenir Dinner

Top: Registration table and Horsehead Pickup.

Bottom: In line for the Hors D'oeuvres.

A. H. HEISEY & COMPANY - A CHRONOLOGY  
Part 6, 1918-1921  
By Tom Felt

1918 - January 17th. A. H. Heisey was elected president of the American Protective Tariff League. As a protectionist, he contended that he could not make and market the grade and quantity of ware that he had been able to sell without a protective tariff.

February 16. The company was re-incorporated in the state of Ohio, with A. H. Heisey, E. Wilson Heisey, T. Clarence Heisey, Carl Norpell and George E. Graeser as chief stockholders.

October. In order to aid the efforts underway necessitated by the United States' involvement in World War I, the table glass manufacturers agreed to reduce their present lines and to refrain from making any new moulds or marketing new items for the duration of the war. At a conference held in conjunction with the War Industries Board, committees were established for each branch of the trade, with A. H. Heisey named to the committee for "Pressed and Blown Glassware for Table Use." This committee was appointed to take up the matter of adopting hard-and-fast schedules for meeting the government's request that current lines be cut back as a war conservation measure, a request which the manufacturers felt could be met by voluntarily decreasing production from 50 to 75%.

December 11. The new corporation was dissolved and thereafter the Heisey Company adopted the structure of doing business variously as a joint stock company, a joint trust, or a Massachusetts business trust, up until its closing in 1957.

The company began offering pantograph etchings<sup>1</sup> in 1918, including no. 152 Apollo, no. 160 Osage, no. 161 Somerset and no. 162 Raleigh.

New plate etchings for 1918 were no. 410 Sabrina, no. 411 Lansdowne, no. 412 Hermitage and no. 413 Renaissance.<sup>2</sup>

Catalog 82 (of pieces for soda fountain service) probably came out earlier this year.

1919 - January. A. H. Heisey was reelected president of the American Protective Tariff League. A resolution offered by him was passed, calling for a strong protective tariff with import duties set at a rate which would make American wages the basis for competition in the American glassware market, preventing less expensive foreign glass from undercutting domestic manufacturers.

March. Construction was begun on a new 5-ton day tank. This tank was completed in May and was intended for use in making cookware.

April 1. Price list 11B was issued.

May. In reply to a circular letter from Federal authorities urging employees to rehire the men being mustered out of the service, A. H. Heisey wrote: "All of our former employees who went to the war are being taken care of by us as rapidly as they return, and we will continue to do so. I am a little surprised at the position that the Administration assumes in this matter. On the one hand they are crying to make room for the soldiers and give them employment. On the other hand, they will permit the importation of foreign products that displace our American labor...I am surprised that the Administration is not broad enough to accept the changed conditions that the war has created, and admit by their action that the tariff is a necessity...."

Later this same month, Heisey also sent a letter to the American Economist, arguing against the formation of the League of Nations. "I am strictly opposed to an alliance...where we turn over the control of our Government exclusively to the allies, where they would outvote us under any condition that would be favorable to them...(throwing) the control of the Government into the hands of these people." He went on to state that he was a member of the League for the Preservation of American Independence, headed by Henry Watterson.

June 16. Price list 205 was issued.

July. Heisey also sent a letter to the annual glassworkers' convention, urging them to support a tariff to protect the industry. This appeal was "made in the interests of both manufacturers and workers,"<sup>3</sup> and was referred to a special committee for action.

October. A. H. Heisey became chairman of the 17th Ohio District for the Roosevelt memorial campaign. The committee hoped to present every schoolroom in Licking, Knox, Richland and Ashland Counties with a framed, enlarged photograph of Theodore Roosevelt by October 20th, by which time the effort to raise \$500,000 for the national campaign would be in full swing in Ohio. Over 1,000 photos were to be printed, as Heisey's gift to the campaign.

With the War over, a number of new stemware lines were introduced: no. 3302 Warden\*, no. 3303 Ponchartrain\*, no. 3330 Hanover\*, no. 3333 Old Glory, no. 3334 Sexton\*<sup>4</sup>, no. 3335-3336 Lady Leg\*, no. 3351 Mon Ami\*, no. 3430 Brau Haus\*, no. 3431 Loraine\*, no. 3432 Conesque\*, no. 3433 Basque\*, no. 3434 Esther\*, no. 3435 Le Caron\*, no. 3436 Pigalle\*, no. 3455 Lady Macbeth\*, no. 3456 Granville\* and no. 3476, Temple\*.

New needle etchings included: no. 27 Crochet\*, no. 31 Roman Key\*, no. 33 Tatting\*, no. 35 Lacy Band\*, no. 36 Ric Rac\*, no. 41 Braided Loop\*, and no. 46 Weaver's Stripe\*.<sup>5</sup>

New pantograph etchings included: no. 163 Monticello, no. 164 Salem and no. 165 Dundee.

New plate etchings for 1919 included: no. 414 Oxford, no. 415 Classic, no. 416 Vintage, no. 418 Accropolis (sic), no. 421 Rose, no. 422 Cumberland, no. 423 Violets, no. 424 Cherries, no. 425 Dogwood, no. 426 Mt Vernon, no. 428 Simplex, no. 429 Zodiac, no. 430 Highlander, no. 431 Victory,<sup>6</sup> no. 432 Londonderry and no. 433 Dutchess (sic).

New cuttings included; no. 657 Liberty, no. 662 Constellation, no. 666 Surrey\*, no. 667 Sir George\*, no. 671 Entente,<sup>7</sup> no. 674 Adams,<sup>8</sup> no. 675 Loch Ness\*, no. 676 Caledonia\*, no. 677 Kingston\*, no. 678 Tuscany\*, no. 679 Windsor, no. 680 Crusader,<sup>9</sup> no. 682 Greenbriar, no. 688 Cassaba, no. 689 Cardiff, no. 693 Cloister, no. 694 Balboa, no. 695 Tara, no. 696 Largo, no. 697 Trellis and no. 698 Hyde Park.

Emmett Olson joined the company in 1919, initially with the job of fitting stoppers. After completing his 6 month apprenticeship, he was moved into the batch room, where the ingredients were mixed. He later became Heisey's chemist and was involved in the creation of most of the company's colors.

1920 - January. Even though he was unable to attend the annual meeting, Heisey was once again reelected president of the American Protective Tariff League. His reelection was not unexpected and it was said that, having been one of the most active members of the League for so many years, he could have the office for as long as he was willing to hold it.

One new pantograph etching was introduced, no. 166 Mayflower.

1921 - January 1. Price list 12B was issued.

Heisey was once again reelected president of the American Protective Tariff League at their annual meeting.

May. Heisey wrote a letter to Chairman Fordney of the Ways and Means Committee of the House of Representatives, strongly favoring the plan of American valuation of imports, "because it places all importations on the same basis and eliminates the difference in the cost of foreign production, so that cheap production of China, Japan, Indian and all Oriental nations would take the same relative duty as the production of France, England, Belgium, Germany, etc...whose production cost is higher than that of the Orient." He pointed out once again that inexpensive imports displaced American labor; American valuation of imports, on the other hand, would ensure full operation of the manufacturing industries, with the benefits spreading throughout the economy, since the fully employed wage earner would have the means to afford the best produced by American agriculture and thus would share with the farmers as well.

July. In an interview held in Atlantic City, Heisey discussed the wage question: "One feature of considerable importance, which both the workers and manufacturers will have to give earnest consideration, is where there is a possibility of any article of glassware being substituted by another commodity that will serve the purpose just as well at a cheaper price, such an article or articles must be produced at a figure that will preclude the possibility of such competition." He went on to emphasize that the manufacturers and suppliers of raw materials must also do their share to make this sort of economy possible.

New stemware included: no. 3319 Holman\*, no. 3321 Brighton\*, no. 3322 Gamin\*, no. 3339 Wilson\*, no. 3340 Tri-Knob\*, no. 3342 Alabama\*, no. 3343 Georgia\*, no. 3344 Carolina\*, no. 3345 Mary n Virg \*,<sup>10</sup> no. 3379, Pyramid\*, no. 3404 Pink Lady\* and no. 3438 Ironton\*.

New cuttings included: no. 704 Magnolia, no. 706 Warrick, no. 711 Dante, no. 717 Ulysses, no. 720 Christabel, no. 723 Azalea, no. 724 Daffodil, no. 725 El Dorado, no. 729 Fairfield, no. 730 Cornflower, no. 731 Algiers and no. 732. Palisade.

\* Original pattern name unknown; named by researchers.

Note: I have attempted to gather information from as many sources as possible, to verify that information from multiple sources when available, and to include the most likely "guesses" based on our current knowledge, when the sources disagree or reliable information is not available. I would appreciate very much hearing from anyone who has additional information, or who can confirm or correct any information given above. Please contact me C/O The Heisey News, P.O. Box 27, Newark, Ohio 43055.

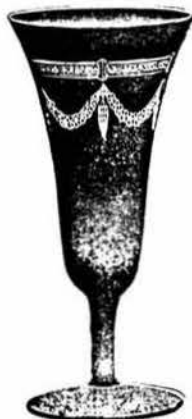
1. Pantograph etching was done by machine, with a worker tracing an oversize design which would then be automatically reduced to the size of the piece being etched, with a needle cutting the design into the beeswax (or acid resist) with which it had been covered.
2. Patent applied for April 5, 1919 and approved October 25, 1921.
3. *Crockery and Glass Journal*, July 17, 1919.
4. Patent filed for on January 10, 1918 and approved September 2, 1924.
5. Patent applied for May 8, 1920 and approved February 13, 1923.
6. Patent applied for April 5, 1919 and approved October 25, 1921.
7. Patent filed for on May 8, 1920 and approved January 20, 1925.
8. Patent filed for on May 6, 1920 and approved February 17, 1925.
9. Patent applied for on May 8, 1920 and approved November 24, 1925.
10. Patent applied for March 19, 1921 and approved November 15, 1924.



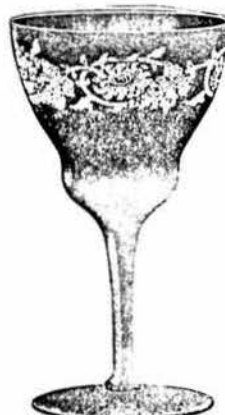
413 RENAISSANCE  
Double Plate Etching



161 SOMERSET  
Pantograph Etching



152 APOLLO  
Pantograph Etching



410 SABRINA  
Plate Etching



162 RALEIGH  
Pantograph Etching



160 OSAGE  
Pantograph Etching

## DID YOU KNOW?

Neila Bredehoft

...A few answers to questions - asked or unasked...information which has been confusing to people...corrections to published material...either ours or others...

- Emerald was the first color to be made by Heisey.
- Ivorina verde is the NAME of the color (custard) not the name of pattern #1280 (better known to Heisey collectors as Winged Scroll).
- Ipswich was NOT made in hawthorne although you sometimes see sun-colored pieces in this pattern.
- Victorian was not made in hawthorne either. Purple items are either sun-colored or Imperial's Heather.
- Only a few pieces of Twist are found in alexandrite and about two dozen in sahara.
- The jug and cream and sugar in Empress are occasionally found without dolphin feet.
- A floral bowl in Kohinoor is known in sahara.
- Sussex was probably inspired by a Steuben pattern.
- Many of the names in the new color book were given for you collectors. Have you checked for your name yet?
- Even though we say Queen Ann was never made in color, a handwritten list says the triplex relish was made in amber for Fred Harvey.
- Plymouth and Monte Cristo stemware are listed as available in sahara in price lists.
- The #4035 decanter had a handle added and a lip tooled in the top and became #4037.
- Jamestown goblets were listed in price lists in flamingo, moongleam and sahara.
- Long-time Newark Heisey dealer, Bob Coyle, won second prize in a national contest sponsored by Crisco and Family Circle at the Ohio State Fair for his cherry pie!



## IN MEMORIAM

We were very sorry to hear of the death of Emma Klawans, Chevy Chase, MD. She and her husband, Manny, have been long time members of HCA. They have attended nearly every convention though Manny came alone this year.

Emma was also a member of the National Capital Heisey Collectors Club and they always did their show in the Washington area. Many of you have no doubt met her there. She was a lovely lady who always had a pleasant smile for everyone.

We are sure that members of HCA, as well as those of the National Capital HCC will really miss her.

We offer our sincerest sympathy to Manny and his family.

## MORE ABOUT THE COLOR BOOK...

Neila Bredehoft

Since the color book was published, I've had a few questions about just what was included and what was not. Some questions seem to come from not understanding the purpose of the book.

First, only patterns made between 1925 and 1938 are included. If the pattern came in the colors of flamingo, moongleam, sahara, cobalt, tangerine and zircon, it is included in the book. The only pattern which was introduced before 1938 and not included is #1489 Puritan. It was just beginning, is not often found in color, and had most pieces added after 1938. If a pattern began before 1925 and continued later, only the pieces made during the 1925-1938 period are shown.

Because we used many catalogs, some duplication occurred because we do not want to cut up original catalogs. Sometimes unimportant or minor pieces were eliminated because the rest of the catalog page was repeated elsewhere. Sometimes catalog pages were too poor to reproduce and we did not have a photograph to use and the piece was not shown, as the #1300 compote. In other cases, I included pertinent information about an item if I had enough information - such as the Cactus plate and others.

All sizes of plates, vases and other items are not listed in the price guide. Usually only the size pictured in the book is priced in the guide. If we had listed all sizes, we might have a guide with 15,000 entries instead of about 10,000! Believe me, it was bad enough as it was!

Patterns like #411 Tudor were introduced before 1925 and so are not complete and patterns like #1503 Crystolite were introduced after or in 1938 and are not included. They will wait for another book. Hopefully....

Remember to write with new information about pieces in colors not listed and if you find pieces marked (and where) if they are listed as unmarked in the book. Thanks.



## CONVENTION 1987

HCA Convention 1987 is now in the planning stages. Fresh new ideas always add to the betterment of this event and we would like to hear from anyone with suggestions. June 1987 sounds like a long time away but lots of planning and work is already underway so send us your suggestions and comments soon.

Thanks,

Larry Stickle, C/O HCA, Box 27, Newark, Oh 43055.

## HALF SIZE HORSEHEADS

If you have not bought the little Horsehead paperweights in the past we still have them available in frosted.\* The cobalt, crystal and red look great together, especially in a window. Cost for each \$35. There is no discount on this item. We know you'll love these. See item 36 on page 23. \* All clear ones are frosted after the date of the dinner to keep the number limited.

diamonds are forever.....

by Janet Caswell

Over the past many months your humble columnist has told you many things about the Yachting Center that happened a hundred years or more ago; now let me tell you something that happened a mere twenty years ago in 1966. The Massachusetts Audubon Society initiated an experiment in which Seagulls (and we have thousands) living on the islands near us were dyed pink. This was to discover the location of the nesting and feeding grounds of these birds. Birds from other locations were dyed different colors than ours. As the different colors indicated various locations, it was very easy to spot the birds and their "native" homes. Would you believe that for a while the air was gay with psychedelic wings! True.

For some reason pink seagulls make me think about Petticoat Dolphin #109 Candlesticks; perhaps because we found a pair in Crystal and a few weeks later came across another pair in Flamingo, but the Flamingo pair were priced way above book price and we left them. Needless to say the dealer still has them but we have the crystal ones.

The other evening I received a call from "the Long Island Artiste" with news of a pair (2) of #160 Locket on Chain handled custard cups, yours truly thought that was worth a mention!

As for the "Color Lady" she reports, not color but even so, a #1201 Fandango handled custard and also the #1201 8 oz Oil; let's see what else she acquired - #300 3 quart jug, a #3390 Carcassone 12 oz Ice Tea in Alexandrite and a "little thing" the #3397 Gascony Sahara 2½ oz Wine. Good going!

The "Felicitous Flamingo Hunter" just celebrated her first anniversary (time does fly) with a trip to the Carolinas. It was a combination of work and pleasure; the pleasure consisted of a few goodies, #1186 crystal compote, etched; #1540 10" Lariat plate, the #354 6" Domino sugar and a basket. She really likes this one because it is completely clear crystal, no decorations at all; it is the #465 8".

I hadn't heard from "Eagle Eye" from Heisey Land in a long time, but the wait was worth it. Three things were found, I will tell you about one only, the others will be in next months column. That way you will all be anxiously waiting for next months news. O.K. here goes, #351 Priscilla Finger Bowl - Oh, almost forgot - the color - Unknown - possibly somewhere between Vaseline and Sahara. Most likely something in the experimental line! Now that was worth waiting for, if you all think that find was terrific, wait for next month!!

"My good English Buddy" (FL) has the #515 Flamingo 2 oz d/o Cologne with #69 stopper and the #1405 Ipswich Cologne with a #1 stopper.

Now for the West Coast and "Mountain Gal" (CA); #1567 Plantation 10 oz flared tumbler; a pair of Dolphin Footed #1509 Individual Candleholders; #300 Peerless 2 oz cocktails, two of these; #356 Match Stand ashtray; #393 Narrow Flute individual salt; #150 Banded Flute saucer footed round Candlestick and the #32 Skirted panel/handled stick. That last find makes a pair for "mountain gal".

Staying in Cal the "Cal Kid" reports his elegant find; two #5065 Colt Stem Cocktails. Now, that was elegant, very, very.

A real exciting piece of Heisey was discovered by the lady who used to live at "the Point", it

was in the back room of a shop in her new area (MA). The #1485 Saturn 7" Compote in Zircon! Very difficult color to come by.

"Mr. H" (MA) came up with a #1220 Puntty Band handled jug in Custard and "the Busy Bee" has a #1201 Fandango covered sugar.

"Shy Gal" found the Heisey crystal Cabachon sign and "the Double Steppin Couple" have a beautiful #3397 Gascony Decanter with the Sportsman etch.

"The Midnight Riders" are on the loose again; they have galloped away with all sorts of things; #1503 Crystal Ashtray, in fact two of them; and an Old Dominion #3380 10 oz tall Goblet in Sahara.

"My Sharp-eyed friends" have the #353 Cheese and Cracker; #1404 Old Sandwich Cobalt Mug and a #1184 Yeoman tumbler cover.

"The Pilgrims" always have lots of room in their "RV" for glass. This month it was the following; #433 Greek Key Cruet with #6 stopper; #1252 Twist two compartment relish in moongleam; #1184 Yeoman Egg Cup also moongleam; the #352 1½ oz Lavendar jar and a #1503 Crystolite Candy dish with flower block finial.

"The Wiz" reports a #354 2½ oz stem and the #1023 Cream and Sugar in Marigold, d/o.

Several weeks ago, on a dreary Sunday morning when the Mr. and I stopped at an outdoor "flea" - about three-fourths of the field was occupied, but we didn't see anything that we couldn't live without until the Mr. spied this water pitcher. He wondered how many people passed it by, if any. The Mr. picked it up and started to look it all over - feeling all the edges - top and bottom - inside and out - was the handle OK? The dealer got the idea (why I really couldn't say) that the Mr. was interested, so he said: "That is a Ridgeleigh Water Jug, and very rare." The Mr. replied, "Ho, is that really so, how come?" The dealer, "because the Ridgeleigh pattern always goes up and down but on this jug the ridges go round and round making it very rare." The Mr. haggled a bit and the price was reduced a bit, quite a bit and the Mr. took it home with him. Oh, I almost forgot to tell you what he purchased, it wasn't Ridgeleigh - it was the #357 Prison Stripe ½ gallon Jug. Another goodie the Mr. came up with was #1469 Ridgeleigh Cologne plus a 6" bon-bon; a #1295 Beaded Swag Butter lid with Pansy Decoration in Opal; eleven (11) #411 Tudor 8 oz Goblets and a beautiful Horsehead Book-end. That is quite a hunk of glass. Right at this moment it is sitting very regally on the piano. Of course now all he can talk about is the chance that perhaps he will stumble across the mate. Well, that would be nice, you never know.

"The Keystone Cops" (PA) told me about a #1170 Pleat and Panel Cruet in moongleam which they quickly placed under arrest. Now was that very nice? Shame on you..

The "Two Guys" (CT) walked away with the #341 Puritan ½ Gallon Jug and in color a Yeoman #1184 10½" Center handled server, diamond optic in Moongleam and it was signed.

It's time to give this old typewriter a rest, I really need some more input, readers. Please sit down and take a few minutes and drop your faithful columnist a little list. I do love to get mail.

From the Yachting Center, best wishes for Happy Hunting!

## NORTH CAROLINA HEISEY STUDY GROUP

By Jerry Lecky

The North Carolina Heisey Study Group held its summer meeting August 16th in the beautiful home of President Charlie and Patsy Nesbit on White Oak Creek, near Willis Landing, Hubert, North Carolina. 16 members and 3 guests were present, not including HURRICANE CHARLIE, (no relation to our President), who was working his way up the coast. "CHARLIE" did not dim our meeting, our Heisey interest, nor our appetites one bit. The scenery was beautiful, the conversation was interesting and informational, and the lunch as prepared by the Nesbits, Jim and Frances Sutton and Marion Lindfelt was delicious. Punch was served in a beautiful Heisey Bowl and matching cups, except ONE - which was fake and caught us all by surprise, even Jim Sutton who had it. This brought us to the theme for our STUDY for the meeting - FAKES AND MISLEADING ITEMS. Charlie and Patsy Nesbit showed the HCA Slide show #5 Fakes and Misleading Items. Discussion throughout indicated that all of us had met with similar pieces and that our knowledge of them, while not lacking, required more education and information. If anyone has knowledge of such a program-HELP!!! After the slide show and discussion, we shared the fake and misleading pieces that we brought, had bought, borrowed or acquired for this meeting. It was the consensus of those present, that while HEISEY may be imitated its QUALITY cannot be imitated. That's a big clue!

During a short but informative business meeting, the 12 members who had attended the HCA 1986 Convention gave an interesting report. First a detailed description of our Charter presentation at the Convention, and the appreciation of our first LOVE GIFT of \$265.00 to the MUSEUM. This started us preparing for next years Convention, and also the possibility of a display.

OUR NEXT MEETING - Fall Meeting of the N.C. Heisey Study Group, will be held in the Western part of the state in the home of Phil and Sally ABRAMS, 1011 Shady Bluff Drive, Charlotte, NC 28211. Phone (704) 364-4561. October 4, 1986 at 1:00 p.m. If you are interested in attending, please contact them. The program will be on "HEISEY ANIMALS", by Earl Howell.

## HEISEY COLLECTORS OF THE ROCHESTER AREA

By Jerry Gillette

### NOTES OF THE AUGUST MEETING

The Rochester Club is evolving into a partying group. Its 10th Anniversary party last month has been followed this month with the Annual Giant Picnic, Eating and Drinking Bash. Our hosts were Norene and Don Walzer who offered the use of their estate for the day.

Showers finally moved the party indoors, but not until "Colonel Wild Bill" Heron had conducted an impressive display of auctioneering with very lucrative results for the club's treasury. Our members seem to have many hidden talents. The day was concluded with a bountiful table of picnic goodies including a chocolate cake that was almost sinful.

The club was happy to have as its guests Luc-

ille and Harlan Harvey of Albion, NY and Jean and Cole Meisner of Spring Valley, NY and we hope to see them again soon.

## HEISEY COLLECTORS OF TEXAS

By Amy Jo Jones

The Heisey Collectors of Texas met August 9, 1986 in Commerce at A. C. and Madeline Sullivan's ranch. Located in the gentle rolling hills of Northeast Texas, the home is the quintessence of a Texas country house. Prominently on display is a superb collection of Crystolite in lighted oak cabinets.

A business meeting was held with fourteen members present. Topics of discussion included a report by Charlie Baird on the Heisey warehouse plus the mould and endowment funds. A reminder was made of the Collectors' Encyclopedia of Heisey Glass 1925-1938 by Neila Bredehoft, available through HCA for \$24.95.

Following the meetings, a Texas-sized potluck dinner was enjoyed "to the fullest" by all. Forgoing a nap for Show and Tell, we were all rewarded by exquisite examples of ever beautiful Heisey glass gleaned from Canton and the HCA Convention by Roger Hulslander and Charlie Baird. The highlight of Show and Tell was presented by Madeline Sullivan - the HCT scrapbook. With a cover fashioned after the Heisey sticker, it chronicles the history of our club. It was noted that this year marks the tenth anniversary of HCT being granted a charter by HCA. The scrapbook is a true work of art by our club historian, Madeline Sullivan. All HCT members are very proud of this achievement and it can serve as an inspiration to other clubs to try to match!

The next meeting will be held November 8 at 2:00 p.m. at Carswell AFB in Forth Worth. Chuck and Amy Jo Jones will host. For more information call Weldon Harris in Dallas 214-368-5533 or Amy Jo Jones 817-732-4652. This is the last meeting of 1986 - our 10th anniversary year. Ya'll come help us celebrate!!

## MOUNDBUILDERS HEISEY COLLECTORS CLUB

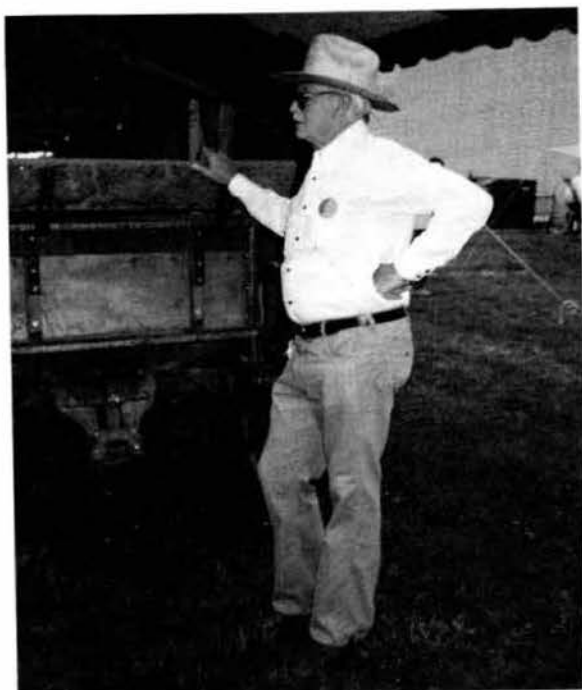
By Jeannine Cullison

A lovely yard and patio, an abundance of food and friends and members of the Moundbuilders HCC were the ingredients of an enjoyable club meeting September 2 at the home of Margaret Weber.

After dinner the business meeting was conducted by President Fred Gartner. A few reminders were: docents are still needed in the Museum and volunteers are needed in the gift shop; the Expo will be at Newark OSU, September 11-13 and the Souvenir dinner will be September 6. All members are encouraged to help or attend all events.

There were 12 members and 5 guests attending. The guests were Frances Tipton, Lawrence Weber, Faith Felumlee, Danielle and Jackie Weber.

An informative program was given on identifying all the colors of Heisey glass and some of the patterns. Mary McWilliams furnished the glass and Louise Ream explained helpful ways to identify color and patterns.



Cowboy, Lloyd Caswell 6/18/86  
Board Member and Display Chairman

### TUMBLERS, 203 to 215

In the past, I've occasionally written about a series of tumblers which began somewhere near 200, found listed in a 1923 turn book, and rarely, if ever cataloged. With the purchase of the Heisey moulds from Imperial and access to the moulds and the mould drawings, we have been able to identify many of them. And then again there are a few which may never be identified.

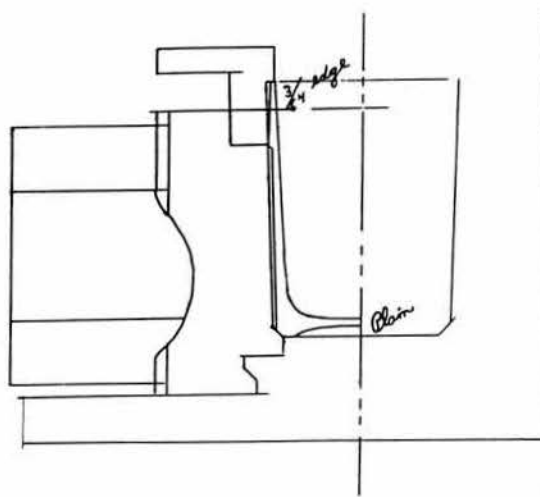
In this series are the Golden State Arches tumbler and the Barber Pole tumbler I have written about.

The drawing accompanying this article is a reproduction of the 207 tumbler drawing, one which does not show enough detail to identify the tumbler. The original drawing was made by the foreman in the mould shop for any of the mouldmakers to execute. It may appear to you to be incomplete because it is full size, (no dimentions) and all the workers knew what was meant. As you can see, the piece of glass is incidental to the mould. In addition to the tumbler, the drawing shows the two pieces of the hinge (the drawing says elsewhere that the mould is a three piece mould,) the ring, the valve and the bottom plate. The profile of the plunger is indicated by the interior of the tumbler, the upper portion is standard. The notation, "3/64 edge," indicates that the valve will have no design, star, etc., on it. Most of the drawings indicate how many 'spaces' the design will have, the fact that this is a three part mould indicates that it may have three, six, nine or perhaps as many as 18 or more 'spaces' or ribs or panels around the side.

I hope next month to have several of the other drawings to show you and a chart of the entire series.

None of the tumblers in this series have star bottoms, the drawings all say 'plain' near the valve.

I'm including the drawing for No. 207 to illustrate the difficulty of identifying the glass from the drawing.



### CORRECTIONS TO DONATION LIST IN SEPTEMBER HEISEY NEWS

20. BUCKEYE HEISEY COLLECTORS CLUB. 3404 Spanish sherbet, Experimental Blue.
21. NEWARK DIAMOND H CLUB is the full name of this club.
36. HEISEY CLUB OF SOUTHEASTERN MASSACHUSETTS - \$500 for acquisitions of glass. (Name was not complete in the September issue.)

### DONATIONS FROM INDIVIDUALS

12. 137 Concave Circle Candlesticks, Sahara. Donated by Hazel LaBroad in memory of her husband, Fred.
13. 127 Twist Stem Candlesticks, Flamingo. Donated by Friends of Fred LaBroad, in his memory.  
(The above two were reversed)

### ADDITIONAL ITEMS DONATED SINCE JUNE

1. 433 Grecian Border punch bowl with base. Donated by Jim and Jean Priaulx.
2. 1420 Tulip Vase, Cobalt. Donated by Tom Bourdon in memory of his wife, Mildred.
3. 1534 Handled Jelly (we have this mould). Donated by Liz Newcomer.
4. 1183 Revere 2 handled candy jar with enamel decor. Donated by Marge and Jerry Gillette.
5. Sandwich Glass plate (copy of Sandwich Glass). Donated by Emmogene Gwynn.
6. 5013 Shasta Champagne - Unknown cutting. Donated By Bob and Ginny Marotto
7. 1519 Waverly (Cresting Wave) Candlesticks. Donated by Evelyn Lanners.

JEAN & DON PARRETT  
4995 Mapledale Rd.  
Jackson, MI 49201

PH: 517-784-7319

P. & I. EXTRA

CRYSTAL - CANDLE HOLDERS

# 2 Old Williamsburg 1 Lite-Prisms....Pr...	\$ 97.00
1509 Queen Ann 8 1/4" - Prisms.....Pr...	110.00
134 Trident - Rose - 2-Lite.....Pr...	125.00
134 Trident - Orchid - 2-Lite.....One..	50.00
21 Aristocrat 9" 1-Lite.....Pr...	100.00
1590 Zodiac 11" Ft'd Bowl-Imperial.....	50.00
300 Peerless 9 1/2" Pitcher.....	95.00
300 Peerless 9 1/2" Water bottle.....	75.00
1503 Crystolite Ice Bucket W/Handle.....	95.00
352 Flat Panel Cv'd. Crushed Fruit.....	165.00
1489 Puritan Horsehead Large Cig. Box.....	65.00
1533 Wampum - Cv'd Cig. Box-4 ashtrays 5 pc.	75.00
6010 Finesse Goblet - Rare.....6 ea.	25.00
6010 Finesse Champagne - Rare.....6 ea.	20.00
5074 Sea Horse Cocktail.....	145.00
4002 Aqua Caliente Cocktail.....4 ea.	30.00
1425 Victorian 1 oz Bar.....6 ea.	22.00
1 Donkey.....	165.00
3 Small Elephant.....	175.00
2 Clydesdale Horse.....	250.00
100 Asiatic Pheasant.....	200.00
Fighting Rooster.....	135.00
1-2-3-Wings up-middle-down Mallards 3 pc. Set	475.00
1519 Waverly Salt & Pepper.....Pr.	35.00
3304 Universal Cordial Beautiful Cut.....ea.	30.00
341 Williamsburg Cordial.....2 ea.	40.00
3382 Duequesne Cordial.....	25.00
5077 Legionnaire Cordial #1072 Cut.....	40.00
1183 Revere Cvd Marmalade/Plate-Gold Trim Set	65.00
1519 Waverly 6 1/2" Ft'd Jelly-Orchid.....	40.00
<u>COBALT</u>	
3390 Carcassone 2 1/2 oz Ft'd Cocktail....4 ea.	45.00
3390 Carcassone Ft'd Cigarette Holder.....	75.00
4231 Favor Vase.....	175.00
1404 Old Sandwich 2 1/2" Square Ash tray..4 ea.	32.50
<u>MOONGLEAM</u>	
1252 Twist 7" Compote.....	70.00
1252 Twist Ft'd Master Almond.....	45.00
1401 Empress Low d/Ft'd 8 1/2" Candy.....	50.00
1286 Bee & Etc. Cut - Ash Tray.....	40.00
10 Hawthorne 10" D.O. Bowl & Frog.....	75.00
1191 Flamingo Pickle & Olive Tray.....	30.00
112 Mercury 1-Lite Candle Holder.....Pr.	50.00
114 Pluto 1-Lite Candle Holder.....Pr.	50.00
1401 Empress Cv'd Mustard.....	55.00
46 Salt & Pepper.....Pr.	50.00
1540 Lariat Creamer, Moonglo Cut.....	20.00
1485 Saturn Cov Sugar Moonglo Cut.....	37.50
1184 Yeoman Bowtie 4" Candy.....	17.50
1552 4 Leaf 1-Lite Candleblock.....Pr.	60.00
5063 Bantam Rooster Stem Cocktail.....	325.00
1567 Plantation 1/2 # Covered Butter.....	65.00
1205 Fancy Loop Large Cov Sugar - Gold.....	35.00
1469 Ridgeleigh 10 1/2" Square Dinner Plate-Rare	110.00



NANCY'S ANTIQUES  
906 44th Street NW  
Canton, Ohio 44709

PH: 216-492-2595  
Shipping Extra  
\* Marked

1519 Waverly 12" Orchid Etch Celery*.....	\$ 45.00
5072 Rose Stem Rose Etch Sauc Champ* 7 ea	45.00
1238 Beehive Flam 5" Plates.....6 ea	15.00
1238 Beehive Flam 14" Sandwich Plate.....	225.00
1509 Queen Anne Mustard and Lid.....	25.00
1519 Wav 13" Orch etch Floral Bowl W/Sal*	310.00
1519 Wav Orchid 7" Plates.....8 ea	20.00
5025 Tyrolean Orchid Sherbets.....6 ea	35.00
5072 Rose Stem Rose Etch Goblets*....7 ea	45.00
1519 Wav Orchid Etch 8" Plates.....8 ea	25.00
1519 Wav Narcissus Cut 8" Plates.....8 ea	25.00
3408 Jamestown Narcissus Goblets*....4 ea	35.00
3366 Trojan Etch 3 oz Cocktails Moongleam Stem*.....4 ea	40.00
3315 Polonaise Oyster Cktl/Needle Etch 6 ea	25.00
1509 Empress, Sahara Cups/Sau's-3 Sets* ea	40.00
341 Puritan Cruet*.....	28.00
1540 Lariat Fan Vase, Cranberry Stain*...	95.00
1509 Empress Alexandrite Saucers*....6 ea	30.00
3380 Old Dominion Sahara Wines*.....2 ea	40.00
1184 Yeoman Marigold 8" Plates.....8 ea	25.00

\*\*\*\*\*

Jim Gartner  
444 Girard St. #103  
Gaithersburg, MD 20877

PH: 301-869-5306  
P. & I. EXTRA  
\* SIGNED

350 Pinwheel & Fan *" Nappy*.....	\$ 45.00
341 Colonial 2 qt. Tankard*.....	58.00
300 Colonial Peerless Hotel Sugar*..2 ea.	24.00
1506 Whirlpool Cruet*.....	47.00
461 7" Basket, Flamingo*.....	175.00
417 7" Double Rib & Panel Basket, MGLM...	115.00
1404 Old Sandwich 1/2 Gal. Jug, Flamingo*...	175.00
1404 Old Sandwich Catsup Bottle-#3 Stopper, Flamingo.....	145.00
1404 Old Sandwich Cream/Sug, Sahara*-Oval.	65.00
1404 Old Sandwich Cig hldr W/ 4 indiv. Ash Trays*.....	115.00
1404 Old Sandwich 1 pt Decanter/98 Stopper*	90.00
1404 Old Sandwich 8" Sq Plates MGLM* 6 ea.	20.00
1401 Empress 6" Rd Compote, MGLM*.....	75.00
1401 Empress 7" Rd Triplex Relish MGLM*...	32.00
1401 Empress Sq. Grapefruits, MGLM*..2 ea.	24.00
1401 Empress Cup & Saucer MGLM*.....1 Set	40.00
1401 Empress 9" D.F. Vase, MGLM*.....	140.00
1401 Empress 9" D.F. Vase, Sahara*.....	115.00
1401 Empress Cup & rd. saucer, Sahara* 1 Set	35.00
1252 Twist Cup & rd. saucer, MGLM*....1 Set	35.00



PLEASE DOUBLE SPACE ALL ADS  
WE NEED ROOM FOR EDITING!!!

NADINE PANKOW  
207 S. Oakwood  
Willow Springs, IL 60480

PH: 312-839-5231

All mint except where  
noted. UPS extra.  
Min. \$3.00. Return  
within 5 days with  
sticker intact.

HEISEY HEISEY

1243 Stepped Octagon 8" plate, Flam...ea. \$ 35.00  
134 Floral bowl, 7½" x 14", Flam..... 45.00

STOPPERS AND PARTS

4225 Cobel Cocktail shakes.....2 ea. 15.00  
4225 Cobel Cktl. shaker w/ strainer..... 35.00  
133 Plume Stopper for Cruet.....2 ea. 40.00  
1540 Lariat Cruet Stopper..... 25.00  
1519 Waverly Epergnettes H.....2 ea. 20.00

ANIMALS AND FIGURINES

Madonna..... 99.00  
Large elephant..... 295.00  
Medium elephant..... 245.00  
Small elephant..... 175.00  
Horsehead Bookend..... 150.00  
Plug horse..... 75.00  
Scottie..... 90.00  
Rearing Pony..... 140.00  
Goose, Wings Up..... 80.00  
Goose, Wings Half..... 85.00  
Goose, Wings Down..... 275.00  
Fighting Rooster..... 145.00  
Oscars - Pink, green, Heather.....ea 25.00

ANIMAL STEMS

5065 Pony Cocktail.....4 ea 250.00  
5074 Seahorse Cocktail.....5 ea 140.00  
5038 Rooster Stem Cocktail.....6 ea 45.00  
5058 Goose Stem sherry..... 160.00

8 oz tumbler, Ambassador etch...6 ea 15.00  
3390 Carassone 11 oz goblet..... 14.75  
3390 Carassone Cig. hdlr.Cobalt, crys.  
stem.....2.ea 45.00  
3300 Carassone Cig. holder, Crystal..... 15.00

CRYSTOLITE

Swirl Candleblock..... 8.00  
Square Candleblocks.....Pr 16.00  
Baby swan nuts.....3 ea 18.00

DANISH PRINCESS CUTTING ON 5010 SYMPHONY STEMS

Goblet.....4 ea 15.00  
Ice Teas.....3 ea 17.50  
Champagnes.....3 ea 15.00  
Wines.....7 ea 20.00

1405 Ipswich 10 oz goblet.....4 ea 9.75

LARIAT

Punch cups.....22 ea 4.75  
Sherbets, low..... 2 ea 7.00  
Goblet, 9 oz..... 12.00  
Cream & Sugar..... 18.50

Goblets, Mayflower etch.....6 ea 12.00

503 MINUET ETCH ON 5010 SYMPHONY STEM

Goblet.....7 ea 29.50  
Wine.....6 ea 65.00  
1511 Toujours covered apple marmalade.... 150.00

Oyster Cocktail, 980 Moonglo cut 3 ea 15.00

(Continued next column)

\* 3390 Carassone 2 oz ftd. bar Sahara..... \$ 15.75

PLANTATION IVY

\* Goblet.....12 ea 22.50  
\* Sherbet.....12 ea 18.00

\* 1469 Ridgeleigh Coaster, Zircon.....6 ea 9.00

\* 1469 Ridgeleigh 2 3/4" x 5" Cov'd.Cig. Box 15.75

497 ROSALIE ETCH

\* 3408 Jamestown 13 oz Ftd. soda.....3 ea 25.75  
\* 4092 Kenilworth 3 oz Cocktail.....7 ea 18.00  
\* 1495 Fern 10½" 3 part relish..... 25.00

515 ROSE ETCH

\* Goblet.....5 ea 32.50  
\* Ice Tea.....8 ea 38.00  
\* Claret.....3 ea 75.00  
\* Champagne..... 32.50  
\* Cruet, Ftd w/stopper..... 150.00  
\* Ftd Crute w/stopper - Handle cracked.. 75.00  
\* Pitcher (Fat)..... 550.00  
\* Lid only for ¼ lb butter..... 85.00  
\* Flat round cov'd. candy 5 ¼"..... 150.00  
\* 4 ftd. Oval handled bowl, 11"..... 85.00

3404 SPANISH, COBALT

\* Ft'd. soda 10 oz.....2 ea 55.00  
\* Goblet.....3 ea 60.00  
\* Champagne.....7 ea 55.00  
\* Low sherbet..... 45.00  
\* Ft'd. juice 5 oz.....6 ea 40.00

HAPPY COLLECTING !!

\* \* \* \* \*

\* JIM & JO EARNSHAW  
\* 133 Lind Avenue  
\* Mansfield, Ohio 44903

PH: 419-526-2334  
After 6:00 p.m.  
We will return call

\* Many thanks to those who bought our HEISEY lamps  
\* and commissioned us to make a lamp for them during  
\* the HEISEY Convention in June.

\* We apologize to those who tried to get to the Gran-  
\* ville Show but couldn't find it because of the de-  
\* tour.

\* The excellent response to our lamps and sales made  
\* us proud and pleased. Again thanks to those who  
\* purchased lamps. We have just about completed our  
\* commissions and sent those lamps out. Again a fine  
\* response!

\* We still have a few custom Heisey lamps in various  
\* patterns for sale. Please send for a complete list  
\* and if you ask for a particular Heisey pattern, we  
\* will try to send you a photo.

\* Remember your Heisey friends with a custom Heisey  
\* lamp for Christmas. We're sure they will be pleas-  
\* ed and welcome.

WRITE TO US TODAY

BABS KENT PH: 516-374-4719  
 554 Amherst Dr.  
 Woodmere, NY 11598

H & R DIAMOND H PH: 614-279-0390  
 Helen & Bob Rarey After 5:30 P.M.  
 1450 White Ash Dr. \* Marked  
 Columbus, Ohio 43204 UPS & INS EXTRA

- 341½ Puritan Finger Bowl\*..... 2 ea. \$ 15.00
- 341 Puritan 5" Ftd. Jelly\*..... 25.00
- 433 Greek Key 2 qt. Crushed Fruit\*..... 225.00
- 1186 Yeoman 6" Ftd. Jelly\* W/Cut..... 32.50
- 1280 Winged Scroll Spooner, Custard W/gold 55.00
- 1401 Empress D.F. Nasturtium Bowl\*, Flam.Cut 97.50
- 1469 Ridgeleigh 6" Vase\* 2 ea. \$22.50..Pr. 40.00
- 1469 Ridgeleigh Bridge Set-Ind. Ash Tray\* (4) ea. \$15.00.....Set 48.00
- 1503 Crystolite 3 Corner Jelly, Web Bottom 15.00
- 1509 Queen Ann 6" DF Saucer 1 Lite..... 45.00
- 1569 Floral Bowl\*..... 27.50
- 1540 Lariat Coaster (6) ea. \$10.00/Set of 6 50.00
- 1632 Lodestar 1 qt. Pitcher\* & 4-6 oz Juice\*295.00
- 1951 Cabachon 5" Ftd Jelly, Bel-Air Cut... 35.00
- 4035 Decanter, Tally Ho Etch..... 145.00
- 4037 Oval Sherry, 1 pt., Maryland Cut.... 135.00
- 4163 Beer Mug 12 oz\*, Golfer Etch..... 350.00
- 1503 Crystolite Ftd. Cigarette Holder\*.... 22.50

Heisey by Imperial "Aurora Jewels" Childs Mug 25.00  
 4225 Cobel 1 qt. Cocktail Shaker..... 42.50

\*\*\*\*\*  
 CARR'S ANTIQUES PH: 717-264-2149  
 P. O. Box 318 Preferably after  
 Chambersburg, PA 17201 6:00 p.m.  
 Postage Extra

- Ringneck Pheasant (decorated)..... \$110.00
- Goose, (Wings Down), (Wings half Way), (Wings Up).....Set of 3... 500.00
- 500 Octagon Ice Tub, Silver plated Handle and Tongs, Flamingo..... 90.00
- 417 Double Rib & Panel Basket, Flamingo, bottom has been ground..... 75.00
- 1485 Saturn Parfaits.....6 ea. 15.00
- 1485 Saturn juice glasses.....4 ea. 6.00
- Lariat Stem Sherbets, Moonglo Cut 4 ea. 12.00
- 1404 Ftd. Soda, Old Sandwich.....5 ea. 15.00
- Saucer Champagne, Pied Piper Etch 6 ea. 25.00

DONALD P. BEAN PH: 617-473-0561  
 36 Harding St. P. & I. EXTRA  
 Milford, MA 01757 \* MARKED

- 1540 Lariat 2 Lite Sticks.....Pr. \$ 35.00
  - 1540 Lariat 1 Lite Candleblock.....Pr. 24.00
  - 1540 Lariat 4" Ash Tray or Nut Cup..... 15.00
  - 5 Patrician 7½" Candlestick\*.....(1). 37.00
  - 393 N. Flute Sml Comb Relish/Cov\*\* See Cat #76, Page 23..... 35.00
  - 1425 Victorian 4" Vase\*..... 27.00
  - 433 Greek Key 4½ oz L/F Sherb\* Flared 3 ea. 15.00
  - 419 Sussex Tall Sherb\* MGLM Bowl.....2 ea. 20.00
  - 341 Puritan 22 oz TAnkard\* 6½" Tall..... 40.00
- WANTED-Cover for large Fancy Loop Pot Pourri Jar.

- 1503 Swan handled pitcher..... \$350.00
- 325 Pillows tankard - good gold trim and four (4) tumblers..... 325.00
- 1445 Grape Cluster 1-Lite Candelabra bobèche & prisms..... 175.00
- 1469½ Ridgeleigh 1-Lite Candelabra bobèche & prisms..... 105.00
- 133 Swan handled 6" Candles..... 250.00
- 133 Swan handled 6" Candle, Moongleam (1) 20 7" 1-Lite Candles/silver overlay.... 150.00 130.00
- 310 Ring Band, rosebud trim, Custard Crmr. 75.00
- 1252 7" Twist Footed Comport, Moongleam.... 85.00

\*\*\*\*\*  
 GILBERT CLINTON PH: 314-471-4738  
 RR.2, Box 532 P. & I. EXTRA  
 Sikeston, MO 63801 Satisfaction Guaranteed

- 4225 Cobel Cocktail Shaker W/Rooster Head Stopper & 9 Rooster Head Ckts....All \$595.00
- Fighting Rooster..... 125.00
- Fish Book End..... 125.00
- 1540 Lariat 7 qt Punch Bowl, 12 cups, ladle 195.00
- 359 High footed sherbet.....10 ea.... 15.00
- 1513 2-Lite Candelabra, Vase, A Prisms, bob.175.00
- 500 Octagon Frozen dessert, Moongleam 6 ea 10.00
- 1540 Lariat Nut Dish.....5 ea 10.00
- 1540 Lariat 9 oz stems.....2 ea 15.00

\*\*\*\*\*  
 FOREVER HEISEY PH: 614-344-5955  
 Jan Thran Shipping & Ins Extra  
 1663 Londondale Pkwy. H - Marked  
 Newark, Ohio 43055

- 1469 Ridgeleigh 7" 1-Lite Candelabra, A Prisms. H.....Pr.. \$110.00
- Rearing Colt..... 135.00
- Sparrow..... 60.00
- 1183 Revere ½ # Candy, Floral Cutting.H... 42.50
- 3335 Lady Leg, 2½ oz Wine, #429 Zodiac et. H, 4 each..... 27.50
- 3390 Carcassone Tall Gob/Old Colony et.3 ea. 18.00
- 1632 Lodestar 1-Lite Candle Nappy, Dawn H Pr 90.00
- 1632 Lodestar Cr & Sug Dawn.H.....Pr. 120.00
- 1519 Waverly Cov Butter, Orchid etch..... 140.00
- 1401 Empress Must/Cov & 4" underplate H Set 40.00
- 1401 Empress 10" Cel, 13" cel & 12" 2-pt rel. all Old Colony etch. Set \$90 or (3) ea..35.00

\*\*\*\*\*  
 MOSTLY HEISEY SASE PLEASE  
 Rhoda Curley UPS EXTRA  
 16 Clayton Place PH: 518-482-6272  
 Albany, NY 12209

- 300 Peerless Tall Cel/1 w/gold Trim...ea. \$ 44.00
- 4204 Vase Flamingo 9½" high. Very dainty.. 44.00
- 354 Wide Flat Panel Lavendar Jar 5" high. 74.00
- 1205 Fancy Loop Covered Butter..... 124.00
- 1503 Crystolite 5 Comp Relish 10"..... 34.00
- 114 Mars Candlesticks Hawthorne..... 94.00
- 1401 Empress Cream & Sugar Sahara..... 74.00
- 1404 Old Sandwich Oval Flower Bowl/Oval Frog 84.00

IF YOU BUY ANY ONE OF THESE PIECES WE WILL SEND YOU FREE A ONE QUARTER POUND HEISEY BUTTER TRAY IN CRYSTAL IN THE ORIGINAL TISSUE PAPER. RETAIL VALUE \$15.

## Classified Ads

**WANTED TO BUY:** Buying Caprice blue or Rosepoint by Cambridge. Rose or Orchid by Heisey...American, June, Fairfax, Versailles, Trojan by Fostoria. Also Depression Glass and all crystal or colored of that era. Nadine Pankow, 207 S. Oakwood, Willow Springs IL 60480. PH: 312-839-5231.

**WANTED:** Items in #160 Locket on Chain, crystal or colors. JIM KENNON, PO Box 251, Amherst, OH 44001. Our Fall List is now available. Hundreds of beautiful Heisey pieces at reasonable prices. If you are not on our mailing list please send a large SASE. J. & R. COLLECTIBLES, P. O. Box 1030, Newark, Ohio 43055. Phone 614-344-9719.

**WANTED:** #150 Banded Flute pattern, punch cups. ANGIE MAURY, 41 Beaver Dam Court, Columbia, SC 29223. **FOR SALE:** #400 Colonial, 8½" Nappy, \$40; #1519 Waverly Cream & Sug, Orchid, \$50; #1519 Waverly 9" Salad Bowl, Orchid, \$125; #4220 Sahara 4½" Vase S.O., \$40; #5025 Tyrolean Ice Tea, Orchid (6) ea., \$30; #112 Mercury 1-Lite Candlestick, Orchid etch, \$30; #15 Flam. Flower Block, \$25; #5024 Oxford Ftd Juice w/ #1055 Westminster Cut\* (7) ea, \$10; #3359 Plateau Flam. Rose Bowl D/O, \$40; #4036½ 1 Pt Decanter, \$40; CRAFTS ENTERPRISES, 187 N. Pioneer Ave., Shavertown, PA 18708. PH: 717-675-8553. P. & I. EXTRA.

**FOR SALE:** Tally Ho #4225 Cocktail Shaker, plain stopper & six #4002 short-stemmed (Aqua Caliente) glasses \$250.00. MRS. D. B. PENNY, 1225-202 Vienna Dr., Sunnyvale, CA 94089. PH: 408-734-5258.

**FOR SALE:** #427 Daisy & Leaves Pitcher, \$200, Tumblers, 4 ea, \$45; #1404 Old Sandwich salt shakers, not orig. tops, Flamingo, Pr. \$100; #1405 Ipswich Candle Vase, Flam., \$75; #1401 Empress Tumbler, Mglm \$50; #1252 Twist, Platter 8½" x 13" Flam, \$50; Salt shakers, Flat Orig. tops, Flam., \$75; Bowl, Bakers, Oval 6 7/8" x 8 7/8" Mglm., \$55; Lid, Marmalade, Notched Mglm, #30. Many more pattern - Write wants - Lots of lids and bases. I pay shipping UPS. Satisfaction Guaranteed. ALFORDS ANTIQUES, 5546 Judalon, Houston, TX 77056. PH: 713-622--8027.

**FOR SALE:** Heisey sugar w/silver rim, \$20; #503 Minuet 12 oz tumbler, 5 ea, \$35; Iced seafood, 11 ea, \$75; 9 oz goblet, 11 ea, \$45; 12 oz soda, 2 ea, \$45; 6 oz Sherbet, 2 ea, #35; 1 oz Cordial, 2 ea, \$95. ELAINE NEAL, 2802 Irwin Rd., Huntsville, AL 35801. PH: 205-539-4810.

**FOR SALE:** #429 Plain Panel Punch Bowl, Base, 12 cups, \$200; Ridgeleigh Coaster, Sahara, \$17.50; (2) Small Bow Ties, Flamingo, \$14; (4) Flam. Oak Leaf Coasters ea. \$8; 3-Lite Orchid Etch Stix, Pr, \$100; #341 Old Wmsburg Juices, Ftd (2) ea, \$13; #1210 Flam. Duplex Collection Tray, \$20. UPS EXTRA. PATTON HOUSE, Box 547, Louisa, VA 23093. PH: 703-967-1181.

**WANTED:** 1971 "Land of Legend" Plate. IRENE AYRES, 3321 Shakespeare Lane, Toledo, OH 43615. Phone: 419-841-3254.

**FOR SALE:** McGrady Sah 5 oz syrup, \$52/7 oz \$58; Twist Flimgo 7" pickle tray, \$23; Hdld mint bowl, \$18; Hdld cheese plate, \$15; Mnglm hdld mint bowl, \$18; Hdld jelly bowl, \$18; 5 oz tumbler, \$15; 4½" plate, \$15; #341 Cruet, #6 stopper, \$25; Flr'd 2 oz sherry 2/\$21; #354 Cologne, #63 stopper, Cut, \$70; #338 Vase, 6¼" high, \$38. SASE for list. PIX. B. WHITNEY, Rte.2, Box 205A, Braham, MN 55006. PH: 612-396-2583

**WANTED:** HEISEY STEEPLE STOPPERS #48 MARION CHARBONNEAU, 848 So. Barnett Anaheim, CA 92805, PH: 714-535-2049

## APPLE COMPUTER OWNERS TAKE NOTE

By Tom Bredehoft

For our members who have Apple computers, or access to Apple Computers, I am making available, at absolutely no charge\* my own index of numbers used by the Heisey Company, the names Heisey used with the numbers, and the names which have been given to Heisey patterns and pieces by the HCA and other researchers. Many lines and pieces are also dated. There are two sections to the index, numerical and alphabetical.

There are a couple of restrictions, you must have at least an Apple //e with 128 K of ram, or an Apple //c, and AppleWorks program to be able to use the index. Or perhaps some other computer which can use Appletworks, (Franklin, IBM, Epsom, etc.) The index, both numerical and alphabetical, comprises 10 files, each between 16 and 39 K long, and takes quite a bit of disc space. Printed, it takes about 175 pages. Once you have the discs, you can print your own, but be advised, at 100 characters per second, it takes about two and a half hours to print.

There is another restriction, too. Since this was prepared with and from HCA owned information, it would not be right for you or anyone else to capitalize upon this. If you care to send donations to the HCA for this they will be greatly appreciated, but I just want to make information available to those who are interested in research.

Don't bother the ladies in the office with this, send your requests to me directly:

Tom Bredehoft  
10217 Stickle Rd.  
Saint Louisville, OH 43071

For those of you with CompuServe, my user ID is 72247,1046, I try to answer my EMail.

\* No cost, send me two double sided discs, or three single sided discs.

Apple and AppleWorks are registered trade marks of Apple Computer, Inc.

IBM and Epsom are registered trade marks of their respective owners.



Cowboy, Al Miller (Board Member)  
June 18th Barbecue



1616 W. CHURCH STREET  
NEWARK, OHIO 43055

# ALL HEISEY AUCTION

APPLE TREE AUCTION CENTER  
1616 W. CHURCH ST.  
NEWARK, OHIO 43055

FRIDAY OCTOBER 17 5:00 P.M.  
SATURDAY OCTOBER 18 9:00 A.M.

Beginning of 10/17/86 session

Bidding instructions on page 21.

DOORS OPEN 1 HOUR BEFORE EACH SESSION

1. 1541 ATHENA CR, SUG & TRAY
2. 479 HOTEL MNGLM CR & SUG, H CR
3. 429 PLAIN PANEL RECESS HOTEL COV SUR & CR H
4. 1541 ATHENA CR & SUG
5. 1503 CRYSTOLITE CR & SUG H
6. 1509 QUEEN ANNE D F CR & SUG, CUT, H, X
7. 1401 EMPRESS SAHARA IND CR & SUG H
8. 1503 CRYSTOLITE CR, SUG, TRAY H, f
9. 393 NARROW FLUTE IND CR & SUG H
10. 1401 EMPRESS FLAM IND CR & SUG H
11. 1469 RIDGELEIGH IND CR & SUG H
12. 1401 EMPRESS SAHARA IND SUG H
13. 406 COARSE RIB FLAM HOTEL CR & LID-FOR SUG H
14. 1225 PLAIN BAND SPOON HOLDER, REP
15. 1225 PLAIN BAND TOY SUG, NO LID H SOUV
16. 1201 FANDANGO IND SUG, WORN DECORATION
17. 1200 CUT BLOCK CUSTARD CR & SUG
18. 1220 PUNTY BAND CUSTARD IND CR SOUV H
19. 1485 SATURN COV MUSTARD H
20. 1469 RIDGELEIGH COV MUSTARD
21. 1503 CRYSTOLITE COV MUSTARD H m
22. 1184 YEOMAN 2 OZ CRUET, WRONG STOPPER H
23. 351 PRISCILLA 2 OZ CRUET H
24. 1401 EMPRESS CRUET
25. 352 FLAT PAN.VIN & OIL BOTTLE, MNGLM STOPPER
26. 325 PILLOWS COLOGNE BOTTLE, STOPPER X
27. 341 PURITAN 13 OZ SYRUP
28. 1485 SATURN BITTERS BOTTLE
29. 300 PEERLESS BITTERS BOTTLE, SPOUT X
30. 353 MED FLAT PANEL 4 OZ CRUET, NO STOPPER H
31. 353 MED FLAT PANEL 4 OZ CRUET, NO STOPPER H X
32. 433 GREEK KEY 4 OZ CRUET, NO STOPPER
33. 1252 TWIST MNGLM 4 OZ CRUET H, NO STOPPER
34. 1184 YEOMAN SAHARA D O 2 OZ CRUET H
35. 1184 YEOMAN SAHARA D O 4 OZ CRUET
36. 1225 PLAIN BAND CRUET, WRONG STOPPER
37. 1469 RIDGELEIGH CRUET
38. 343 SUNBURST WATER BOTTLE M
39. 305 PUNTY & DIA POINT WATER BOTTLE
40. 1776 KALONYAL WATER BOTTLE
41. 1205 FANCY LOOP WATER BOTTLE
42. 1205 FANCY LOOP CRACKER JAR, BOTTOM ONLY
43. 1502 CRYSTOLITE SWIRL CANDLE BLOCKS, 4, 1X
44. 99 1 LT FLAM CANDLE BLOCK, PR
45. 114 1 LT MNGLM CANDLEHOLDERS PR
46. 1503 CRYSTOLITE 2 LT CANDELABRA PR, COMP
47. 126 FLAM 6 IN CANDLESTICKS PR
48. 126 MNGLM 6 IN CANDLESTICKS PR H
49. 126 CRYST 6 IN CANDLESTICKS PR
50. 16 5 IN CANDLESTICKS PR
51. 100 9 IN CANDLESTICKS PR H
52. 5 11 IN CANDLESTICK CUT
53. 3 9 IN CANDLESTICK
54. 1615 COBEL 2 LT CANDLESTICKS PR H
55. 29 9 IN CANDLE CUT
56. 300 1 LT CANDELABRUM X
57. 1404 OLD SANDWICH COBALT 1 LT CANDLE X
58. 1401 EMPRESS FLAM D F CANDLE H
59. 1428 WARWICK 2 LT CANDLESTICK H
60. 7000 SUNFLOWER 1 LT CANDLESTICK
61. 1504 REGENCY 2 LT CANDLESTICK
62. 1503 CRYSTOLITE SQ HURR CANDLE, BASE ONLY H
63. 1503 CRYSTOLITE SQ HURR CANDLE, CUT GLOBE H
64. 2 11 IN CANDLE
65. 107 10 IN MNGLM CANDLESTICK H

This super auction will feature a signed AMBER Flying Mare, 2 Amber Sparkies (Oscars) and about 60 other animals. Lots of good color, several hundred "Little Items" incl Cordials, Shot Glasses, Toothpicks, Salts and Almond and Nut dishes. A nice selection of Orchid, Heisey Rose and Minuet etchings. Many nice Cruets, Candlesticks and good early patterns. Interesting Imperial items incl some rare animals and trial items.

66. 1503 CRYSTOLITE SINGLE CANDLESTICK
67. 300 1 LT CANDLEABRUM
68. 1405 IPSWICH CANDLE VASE, COMP H
69. 301 3 LT CANDLEABRA, SHORT BASE
70. LEAF 1 LT CANDLESTICK
71. 1540 LARIAT 1 LT CANDLESTICK
72. 1495 FERN 2 LT CANDLESTICK
73. 1495 FERN 2 LT CANDLESTICK
74. 134 SAHARA 2 LT CANDLE, OLD COLONY ETCH
75. 1469 8 IN CTR PC W/FROGS, 1 LT CANDLES H, 5 PC
76. 1401 EMP SAHARA DF FL BOWL W/135 CANDLES CUT
77. 10 DEC FLORAL BOWL H W/9 IN CANDLES NOT H
78. 13 FLAM FL BOWL H W/FROG W/13 CANDLES
79. 5025 TYROLEAN CHAMPAGNE, 6, 2f
80. 3408 JAMESTOWN CHAMPAGNE, 6, CUT
81. 3411 MONTE CRISTO CHAMP, KOLORAMA CUT 7,1 REP
82. 3408 JAMESTOWN CHAMPAGNE, SHEFFIELD CUT, 2
83. 347 COLONIAL CHAMPAGNE, 3 H
84. 5040 LARIAT CHAMPAGNE, 2 H
85. 341 OLD WILLIAMSBURG SHERBET, 2 H
86. 1184 YEOMAN MNGLM D O SHERBET, 4 H
87. 150 BANDED FLUTE CHAMPAGNE 4, 1f
88. 3389 DUQUESNE CHAMPAGNE, CHINTZ ETCH
89. 1425 VICTORIAN CHAMPAGNE, 5 H
90. 3390 CARCASSONNE COBALT CHAMPAGNE
91. 393 NARROW FLUTE SHERBET, 4 H
92. 4091 KIMBERLY CHAMPAGNE, UNKNOWN CUT H
93. 4091 KIMBERLY CHAMPAGNE, SUNGATE CUT H
94. 4091 KIMBERLY CHAMPAGNE, COURTSHIP CUT
95. 3359 PLATEAU FLAM SHERBET 3, 2X
96. 451 CROSS LINED FLUTE CHAMPAGNE, 6 H
97. 1401 EMPRESS MNGLM CELERY H
98. 1503 CRYSTOLITE CELERY AND OLIVE H
99. 1184 YEOMAN 10 IN MARIGOLD DO RELISH
100. 468 MNGLM 12 IN RELISH TRAY H
101. 1469 RIDGELEIGH 12 IN PICKLE & OLIVE TRAY H x
102. 411 TUDOR 12 IN CELERY TRAY H
103. 1185 YEOMAN 6 IN COV FTD BOWL H
104. 1469 RIDGELEIGH LOW FL BOWL W/FANCY METAL COV
105. 1519 WAV TALL COV CANDY W/ELKS CREST H, LID X
106. 4225 1 QT COCKTAIL SHAKER - NO STOPPER
107. 4036 1/2 1 PT DECANTER
108. 4035 DECANTER CUT, X
109. 1489 PURITAN SOUV DECANTER 1977
110. 1469 RIDGELEIGH RYE BOTTLE & STOPPER X
111. 4225 COBEL 1 QT COCKTAIL SHAKER CUT
112. 4225 COBEL 1 QT COCKTAIL SHAKER
113. 2323 NAVY 10 OZ SODA
114. 602 12 OZ SODA H, M
115. 6060 COUNTRY CLUB 14 OZ SODA, 12
116. 4054 CORONATION 12 OZ SODA, 5
117. 4054 CORONATION 8 OZ SODA, 4
118. 4054 CORONATION 8 OZ SODA, 4

119. 4054 CORONATION 12 OZ SODA, 2  
120. 1404 OLD SANDWCH 12 OZ FTD SODA, 8, 1X  
121. 433 GREEK KEY 5 OZ JUICE  
122. 2351 FLAM DO 5 OZ SODA, 3  
123. 150 BANDED FLUTE 5 OZ WATER BAR, 3 H  
124. 433 GREEK KEY TUMBLER H, f  
125. 1280 WINGED SCROLL CUSTARD TUMBLER, GOLD DEC  
126. 1205 FANCY LOOP EMERALD TUMBLER GOOD GOLD, f  
127. 310 RING BAND CUST TUMBLER, SOUV 1901, H m  
128. 1401 EMPRESS SAHARA DF NUT  
129. 1401 EMPRESS SAHARA DF NUT  
130. 1401 EMPRESS SAHARA DF NUT  
131. 1229 OCTAGON MNGLM IND NUT H  
132. 1229 OCTAGON FLAM IND NUT, CUT  
133. 1469 RIDGELEIGH IND NUT  
134. 1229 OCTAGON FLAM IND NUT, 3 H  
135. 1229 OCTAGON MNGLM IND NUT, 5 H  
136. 393 NARROW FLUTE FLAM FTD ALMOND, 2 H  
137. 393 NARROW FLUTE MNGLM FTD ALMOND  
138. 393 NARROW FLUTE FTD ALMOND H  
139. 433 GREEK KEY FTD ALMOND H  
140. 3316 MNGLM IND FTD ALMOND  
141. 1183 REVERE IND SALT DIP, CUT  
142. 393 NARROW FLUTE IND SALT DIP, 2 H  
143. 3359 PLATEAU FLAM 8 1/2 OZ GOBLET  
144. 2516 CIRCLE PAIR MNGLM 8 1/2 OZ GOBLET  
145. 3368 ALBERMARLE FLAMINGO 8 OZ GOBLET H  
146. 3366 TROJAN FLAM D O 8 OZ GOBLET H  
147. 3368 ALBERMARLE DO GOB MNGLM STEM TROJ ETCH  
148. 3368 ALBERMARLE DO GOBLET, YEL & BL IRRID, H  
150. 3366 TROJAN HAWTHORNE D O 8 OZ GOBLET H  
151. 3350 WABASH 10 OZ GOB MNGLM STEM MAYFL ETCH H  
152. 3359 PAN AMERICAN GOBLET H  
153. 3350 WABASH 10 OZ GOB GOLD ETCH H  
154. 3333 OLD GLORY GOBLET, CUT H, X  
155. 3380 OLD DOMINION SAHARA 10 OZ D O GOBLET  
156. 3357 KING ARTHUR FLAM 10 OZ GOB, DIANA ETCH H  
157. 3381 CREOLE 11 OZ GOBLET SAHARA BOWL  
158. 3376 ADAM FLAM D O GOBLET, BILTMORE ETCH  
159. 3312 GAYOSO GOBLET, CHERRY ETCH  
160. 3312 GAYOSO FLAM D O GOBLET  
161. 3365 RAMSHORN OPTIC FLAM GOBLET H  
162. 4091 KIMBERLY GOBLET, LAUREL CUT, 3 H  
163. 1540 LARIAT GOBLET, CUT H  
164. 3350 WABASH 10 OZ GOBLET, 4 H, 1X  
165. 5040 LARIAT GOBLET, CUT, 2  
166. 3317 DRAKE GOBLET, TATTING NEEDLE ETCH  
167. 3345 MARY N VIRG GOBLET, ADAM ETCH H  
168. 3308 PEACOCK IRRID GOBLET, NOT H  
169. 438 SPIRAL OPTIC GOBLET H  
170. 1503 CRYSTOLITE 2 PART DRESSING BOWL  
171. 1503 CRYSTOLITE COV SHELL CANDY DISH  
172. 1503 CRYSTOLITE 4 IN CIG BOX & COVER X  
173. 1503 CRYSTOLITE 12 IN OVAL SHALLOW BOWL H  
174. 1503 CRYSTOLITE 5 1/2 IN FTD CHEESE  
175. 1503 CRYSTOLITE 12 IN RND SHALLOW FLARED BOWL  
176. 1503 CRYSTOLITE 12 IN TORTE PLATE  
177. 1503 CRYSTOLITE 7 IN 2 HDLD BON BON H  
178. 1503 CRYSTOLITE 2 HDLD OVAL CHEESE PLATE H  
179. 1428 WARWICK 9 IN VASE, 2, H  
180. 1428 WARWICK 7 IN VASE  
181. 1503 CRYSTOLITE 13 IN OVAL FLORAL BOWL H  
182. 1503 CRYSTOLITE 6 IN VASE H, & VASE, NOT H  
183. 1519 WAVERLY SEAHRS HDLD FL BOWL, ORCH CARV H  
184. 1503 CRYSTOLITE 3 IN SHORT STEM FLOWER VASE H  
185. 1558 10 1/2 IN FLORAL VASE, OVAL H  
186. 1558 10 1/2 IN ROLLED END BOWL  
187. 1401 EMPRESS SAHARA FLORAL BOWL H  
188. YEOMAN FLAM 12 IN FLAT FL BOWL, ROLLED EDGE H  
189. 1184 YEOMAN HAWTHORNE 12 IN DO FL BOWL W/FROG  
190. RIDGELEIGH TYPE 10 IN BOWL, 5 IN TALL  
191. 1184 YEOMAN 9 IN COMPOTE, CUT HH  
192. 1495 FERN 10 IN BOWL  
193. 1540 LARIAT 14 IN SANDWICH TRAY, CUT  
194. 133 SAHARA SWAN HDLD FLORAL BOWL X, W/FROG H  
195. 1201 FLAMINGO FTD FLORAL BOWL H  
196. 1401 EMPRESS ALEXANDRITE 6 CUPS 7 SAUC, RND H  
197. 1183 REVERE FLAMINGO DEMITASSE CUP/SAUCER H  
198. 1186 YEOMAN MNGLM CUP/SAUCER, 3 H  
199. 1509 QUEEN ANN CUP/SAUCER H, & 1401 CUP  
200. 1184 YEOMAN SAHARA CUP, 2 H  
201. 1401 EMPRESS SAHARA CUP, CHINTZ ETCH H, f  
202. 350 PINWHEEL & FAN PUNCH CUP, 13 H  
203. 1503 CRYSTOLITE PUNCH CUP, 4 H  
204. 343 SUNBURST PUNCH CUP, 7 H  
205. 1205 FANCY LOOP PUNCH CUP, 12  
206. 1205 FANCY LOOP EMERALD PUNCH CUP  
207. 325 PILLOWS PUNCH CUP H  
208. 433 GREEK KEY PUNCH CUP, 2 H  
209. 393 NARROW FLUTE PUNCH CUP, H f  
210. 357 PRISON STRIPE PUNCH CUP, 3 H  
211. 300 1/2 PEERLESS PUNCH CUP, 5 H  
212. 1507 5 OZ SUNDAE H  
213. 1205 FANCY LOOP PUNCH GLASS  
214. 1205 FANCY LOOP PUNCH GLASS  
215. 1220 PUNTY BAND HDLD SOUV MUG, RED STAIN H  
216. 1401 EMPRESS ALEXANDRITE 8 IN RND PLATE H  
217. 353 MED FLAT PANEL 5 1/2 IN PLATE, 5 H  
218. 1225 HAWTHORNE 7 IN PLATE, 8 H  
219. 4182 6 IN PLATE, EMPRESS ETCH, 3  
220. 1401 EMPRESS SAHARA 7 IN PLATE, OLD COL, 4 H  
221. 8 IN PLATE, FESTOON WREATH, CUT, 8  
222. 7 IN PLATE, 2, & 6 IN PLATE, ALL CUT  
223. 1225 7 IN PLATE, 3, & 411 8 IN PLATE, 2, ALL H  
224. 407 COARSE RIB 9 IN PLATE, 3 H  
225. 7 IN PLATE, SHEFFIELD CUT, 5  
226. 1401 EMPRESS SAHARA 7 IN SQ PLATE, 7 H  
227. 4044 NEW ERA GOBS 4 & ICE TEA MONO 4f  
228. 3357 KING ARTHUR GOBLET, 3, 1f  
229. 5011 YORKTOWN GOBLET, 4 H  
230. 3312 GAYOSO FLAM D O GOBLET, 5  
231. 3357 KING ARTHUR MNGLM STEM GOBLET, 2 H  
232. 3389 DUQUESNE SAHARA GOBLET, CHINTZ ETCH, 5  
233. 3357 KING ARTHUR GOBLET, DIANA ETCH, 5 H, 1f  
234. 3411 MONTE CRISTO GOBLET, KALARAMA CUT, 4  
235. 5010 SYMPHONE GOBLET, DANISH PRINCESS, 3  
236. 3408 JAMESTOWN GOBLET, LARKSPUR CUT, 6 H  
237. 3408 JAMESTOWN GOBLET, BARCELONA CUT, 11  
238. 3411 MONTE CRISTO GOBLET, KALARAMA CUT, 3  
239. 3380 OLD DOMINION GOBLET, EMPRESS ETCH, 4  
240. 3408 JAMESTOWN GOBLET, BARCELONA CUT, 3 H  
241. U8023 RAMPUL FLAM D O GOBLET, 3  
242. 3359 PLATEAU FLAM D O GOBLET, 2  
243. 3312 GAYOSO GOBLET, MONTICELLO CUT, 4  
244. 3359 PLATEAU FLAM D O GOBLET, 3, 3f  
245. 1184 YEOMAN FLAM D O GOBLET, 6 H  
246. 1184 YEOMAN FLAM D O COCKTAIL, 6 H  
247. 1184 YEOMAN FLAM D O CHAMPAGNE, 6  
248. 1184 YEOMAN FLAM D O SHERBET, 6  
249. 434 COLONIAL 4 1/2 IN RND ASH TRAY H, XX  
250. 1626 LODESTAR DAWN ASH TRAY H  
251. 361 MOONGLEAM CIG BOX & ASH TRAY H, X  
252. 1489 PURITAN 4 1/2 IN HORSEHEAD CIG BOX  
253. 1469 RIDGELEIGH 4 IN COV CIG BOX, H F  
254. 1503 CRYSTOLITE 4 IN COV CIG BOX, m H  
255. 1536 MILITARY HAT ASH TRAY  
256. 1286 CUPID & PSYCHE IND ASH TRAY, 2, 1f  
257. 1286 CUPID & PSYCHE FLAM IND ASH TRAY  
258. 1469 RIDGELEIGH RND CIG HOLDER H  
259. 1469 RIDGELEIGH OVAL CIG HOLDER, 3 IN COAST H  
260. 1469 RIDGELEIGH 2 1/2 IN SQ ASH TRAY H  
261. 1469 RIDGELEIGH BRIDGE SET H  
262. 1503 CRYSTOLITE CIGARETTE LIGHTER  
263. NEWARK SESQUI ASH TRAY  
264. 1404 OLD SANDWICH IND ASH TRAY, 4 H  
265. 439 IND ASH TRAY  
266. 1404 OLD SANDWICH COBALT IND ASH TRAY H  
267. 1404 OLD SANDWICH COBALT IND ASH TRAY H  
268. 1540 LARIAT ASH TRAY  
269. VERLYS SWALLOWS ASH TRAY - SIGNED  
270. VERLYS GREEK HORSE COV CIG BOX, F - SIGNED  
271. VERLYS GREEK HORSE ASH TRAY - SIGNED  
272. VERLYS BLUE SWALLOWS ASH TRAY  
273. VERLYS LOVEBIRD VASE - SIGNED  
274. VERLYS LOVEBIRD VASE

275. VERLYS 12 IN BIRDS & BEES BOWL - SIGNED  
276. VERLYS PINECONE BOWL, NOT FROSTED, 2  
277. VERLYS MANDRIAN VASE, FRENCH OPAL - FENTON  
278. 300 PEERLESS WINE, BRITISH REG H  
279. 820 MITCHELL WINE, f  
280. 341 PURITAN CORDIAL, 2 H  
281. 300 PEERLESS CORDIAL H  
282. 348 COLONIAL CUP CORDIAL H  
283. 5078 PARK AVENUE CORDIAL H  
284. 3389 DUQUESNE CORDIAL  
285. 601 ELIZABETHAN CREME DE MENTHE H  
286. 3304 UNIVERSAL CORDIALS, 6  
287. 5011 YORKTOWN CORDIALS, 2, H  
288. 331 COLONIAL IND SALT, SQ, 9, 1f  
289. 1183 REVERE FLAM IND SALT 11  
290. 1183 REVERE IND SALTS CUT 4 H  
291. 1183 REVERE IND SALT 2 H  
292. 1201 FANDANGO IND SALT 2  
293. 352 FLAT PANEL IND SALT 2  
294. 1469 RIDGELEIGH IND SALT 3  
295. FLAMINGO COLORED FTD BAR ?  
296. FLAMINGO COLORED BAR ?  
297. 150 BANDED FLUTE 3 1/2 OZ WATER BAR 3 H  
298. 6060 COUNTRY CLUB 1 OZ BAR  
299. 1586 COLEPORT 1 OZ BAR 2 H  
300. 1 OZ BAR BLOWN  
301. 5087 COMET 1 1/2 OZ BAR  
302. 4054 CORONATION 1 OZ BAR  
303. 2052 1 OZ BAR  
304. 1280 WINGED SCROLL CLAMBROTH TRINKET BOX x  
305. SMALL ELEPHANT f  
306. LARGE ELEPHANT, REP TO BASE  
307. ROOSTER VASE M  
308. FIGHTING ROOSTER  
309. RINGNECK PHEASANT H  
310. RINGNECK PHEASANT H  
311. STANDING COLT  
312. STANDING COLT REP TO MANE  
313. STANDING COLT H  
314. CLYDESDALE REP TO REAR HOOF  
315. GIRAFF, HEAD BACK  
316. GOOSE, WINGS HALF H  
317. GOOSE, WINGS HALF  
318. GOOSE, WINGS UP, BUBBLE  
319. SCOTTY, DECORATED f  
320. OSCAR, REP BASE  
321. OSCAR, REP BASE  
322. FISH BOOKEND, LEANS H  
323. CYGNET, REP f h  
324. SMALL HORSEHEAD STOPPER  
325. ROOSTERHEAD STOPPER  
326. GOOSE STOPPER  
327. 1 MADONNA, FROSTED  
328. 1503 CRYSTOLITE IND SWAN NUT  
329. 1503 CRYSTOLITE IND SWAN NUT 4  
330. 4225 COBEL PINT COCKTAIL SHAKER, ROOSTER TOP  
331. 5083 ROOSTER STEM COCKTAIL 2  
332. 5010 SYMPHONY CHAMP DANISH PRINCESS CUT  
333. 6010 FINESSE CHAMPAGNE 2  
334. 4091 KIMBERLY CHAMP LAUREL CUT 2  
335. 3366 TROJAN FLAM CHAMP 7 H  
336. 351 PRISCILLA SHERBET H  
337. 6091 CABOCHON SHERBET ARCADIA CUT 2  
338. 373 COLONIAL CHAMP 4 H 1f  
339. 3416 BARBARA FRITCHIE CHAMP CUT 3 H  
340. 3411 MONTE CRISTO CHAMP CUT  
341. 3404 SPANISH CHAMP RIVIERE CUT  
342. 3404 SPANISH COBALT BOWL CHAMP  
343. 4091 KIMBERLY CHAMP CROMWELL CUT  
344. 3330 HANOVER CHAMP HERMITAGE ETCH H  
345. 6004 CLASSIC CHAMP SPRING CUT H  
346. 5057 SUEZ CHAMP MIDWEST CUT H  
347. 1401 EMPRESS SAHARA CHAMP H  
348. 1401 EMPRESS SAHARA SHERBET H  
349. 5077 LEGIONNAIRE CHAMP  
350. 1240 SHAWNEE CHAMP H  
351. 3390 CARCASSONNE SAHARA SHERB OLD COL ETCH  
352. 3362 CHARTER OAK MNGLM SHERBET 2 H  
353. 433 GREEK KEY SHERBET 4 IN HH  
354. 433 GREEK KEY CHAMPAGNE H  
355. 4091 KIMBERLY CHAMP COURTSHIP CUT 4  
356. 300 PEERLESS 5 OZ SHERBET 4 H  
357. HOLLOW STEM CHAMP & CUT SEAFOOD COCKTAIL  
358. 150 BANDED FLUTE CHAMPAGNE 4 H, 1f  
359. 150 BANDED FLUTE 5 1/2 OZ EGG CUP 4 H  
360. 5082 MID CENTURY 4 1/2 OZ COCKTAIL H  
361. 3389 DUQUESNE CHAMPAGNE CUT 2  
362. 6091 CABOCHON SHERBET ARCADIA CUT  
363. 5072 ROSE STEM CHAMPAGNE H f  
364. 3333 OLD GLORY CHAMPAGNE CUT 10 H  
365. 602 8 OZ TUMBLER H  
366. 1205 FANCY LOOP TUMBLER 2, 1 GOOD GOLD  
367. 3390 CARCASSONNE FLAGON OLD COLONY ETCH 3  
368. 3368 DIAMOND ROSE PILSNER H  
369. 393 NARROW FLUTE 5 IN NAPPY 2 H  
370. 393 NARROW FLUTE 4 IN NAPPY H  
371. 393 NARROW FLUTE TRI CORNER HDL JELLY H  
372. 1280 WINGED SCROLL CUSTARD 4 IN NAPPY 2  
373. 1295 BEAD SWAG OPAL 4 IN NAPPY 4  
374. 516-1 MOONGLEAM 7 IN VASE D O  
375. 5040 LARIAT FAN VASE  
376. 1540 LARIAT 7 IN VASE SQ TOP H  
377. 1540 LARIAT 7 IN VASE ROUND CRIMP TOP H  
378. 1401 EMPRESS SAHARA 9 IN D F VASE H  
379. 338 9 IN VASE H  
380. 1469 RIDGELEIGH 6 IN VASE FAINT H  
381. 1255 PINEAPPLE & FAN 6 IN VASE  
382. 1567 PLANTATION 6 IN VASE  
383. 1567 PLANTATION DIV MAYO BOWL, OVAL H  
384. 5067 PLANTATION GOBLET H  
385. 5067 PLANTATION CHAMPAGNE 8 H  
386. 1567 PLANTATION COCKTAIL 8, 2 H  
387. 5067 PLANTATION WINE 7 H  
388. 411 TUDOR MNGLM HDL CHEESE PLATE CUT H  
389. 1229 OCTAGON HAWTHORNE HDL BON BON H  
390. 1469 RIDGELEIGH 6 IN BON BON H  
391. 1401 EMPRESS SAHARA 6 IN HDL FTD MINT  
392. 411 HDL CHEESE & 1229 FLAM HDL CHEESE  
393. 1469 RIDGELEIGH 6 IN DIV MINT DISH  
394. 1495 FERN 6 IN TID BIT  
395. 1183 REVERE COV LEMON DISH CUT H, F  
396. 1541 ATHENA BON BON  
397. 1503 CRYSTOLITE 7 IN HDL PLATE OVAL H  
398. 1469 RIDGELEIGH 6 IN HDL MINT H  
399. 1401 EMPRESS FLAM D F 8 IN MINT H  
400. 1295 BEAD SWAG OPAL CREAM DAISY DECOR WORN  
401. 335 PRINCE OF WALES COV SUGAR, WORN GOLD H  
402. 3404 SPANISH 8 OZ SODA CUT  
403. 3373 MORNING GLORY FLAMINGO GOBLET H  
404. 5082 MID CENTURY FTD SODA H  
405. 3389 DUQUESNE FTD SODA POMPEII ETCH  
406. 3404 SPANISH SODA TITANIA ETCH 2  
407. 3380 OLD DOMIN SAHARA DO TUMB & ICE TEA  
408. 5022 GRACEFUL GOBLET ENCHANTRESS CUT  
409. 3355 1 & 3357 3 FLAMINGO FTD SODAS, ALL H  
410. 5025 TYROLEAN FTD ICE TEA H  
411. 3362 CHARTER OAK LUNCHEON GOBLET 2  
412. 3381 CREOLE SAHARA FTD SODA D O 5  
413. 3350 WABASH ICE TEA MAYFLOWER ETCH 3 H  
414. 4206 OPTIC TOOTH MNGLM SODA 6  
415. 3408 JAMESTOWN PARFAIT CUT 2 x  
416. 3408 JAMESTOWN PARFAIT 2 H  
417. 5024 OXFORD FTD JUICE 4 H  
418. 4091 KIMBERLY 5 OZ SODA COURTSHIP CUT  
419. 5019 WAVERLY 5 OZ PARFAIT H  
420. 3350 WABASH HAWTHORNE 5 OZ PARFAIT CUT H  
421. 5082 MID CENTURY PARFAIT H  
422. 5082 MID CENTURY PARFAIT H  
423. 3350 WABASH 5 OZ SODA D O H  
424. 3360 PENN CHART HAWTHORNE PARFAIT CHK OP H  
425. 5019 WAVERLY 5 OZ PARFAIT 2 H, REP  
426. 3350 WABASH OYS COCKTAIL PIED PIPER ETCH 6 H  
427. 1540 LARIAT GOB MOONGLO CUT 8  
428. 5011 YORKTOWN GOB HUGUENOT CUT 3  
429. 5024 OXFORD GOB MARYLAND CUT 12 H ORIG PACKG  
430. 5079 PAN AMERICAN COCKTAIL H m

431. 4044 NEW ERA COCKTAIL 8, 1f  
432. 5082 MID CENTURY SHERRY H  
433. 5082 MID CENTURY COCKTAIL H  
434. 5072 ROSE STEM GOB W O 2  
435. 5024 OXFORD GOB IVY ETCH  
436. 5019 WAVERLY 3 OZ WINE IVY ETCH 4 H  
437. 5024 OXFORD 3 OZ WINE IVY ETCH 4 H  
438. 3315 POLONAISE GOB CASSANDRA ETCH 6 2X  
439. 5091 CABOCHON GOBLET SOUTHWIND CUT 4  
440. 1184 PEACH MELBA N O 4 H  
441. 6010 FINESSE GOBLET 5, 1X  
442. 3397 GASCONY SAHARA GOBLET  
443. 1404 OLD SANDWICH FLAMINGO GOBLET  
444. 3440 PORTSMOUTH FLAMINGO D O GOBLET 2, X  
445. 3359 PLATEAU FLAMINGO D O CHAMPAGNE  
446. 3311 VELVEDERE FLAMINGO D O GOBLET  
447. 3324 DELAWARE FLAMINGO D O GOBLET  
448. U8005 GALAXY FLAMINGO GOBLET H  
449. 1170 PLEAT & PANEL MNGLM LUNCHEON GOBLET  
450. 1184 YEOMAN SAHARA GOBLET H X  
451. LOT 7 MUSTARD LIDS  
452. LOT 2 WAVERLY CIG JAR LIDS, 1 ORCHID ETCH  
453. LOT 15 FERRULES  
454. LOT 20 FERRULES  
455. LOT 6 MOLASSES CAN TOPS, METAL  
456. LOT 7 SANITARY TOPS FOR SUGAR SIFTERS  
457. SAHARA BOBECHES W/10 PRISMS x  
458. LID FOR PLANTATION MARMALADE  
459. 4 STOPPERS, 1567, 1540, 1405, FACETED  
460. RIDGELEIGH BOBECHES W/PRISMS  
461. LOT 4 - #300 BOBECHES, CUT  
462. LOT 2 - #300 BOBECHES  
463. PLUG FOR #1471 CANDLESTICK, SM f  
464. LID FOR #10 INKWELL H  
465. #5 CANDLE SOCKET  
466. 2 COLONIAL LIDS - 1 SUGAR, 1 WATER JUG  
467. LID FOR NARROW FLUTE MUSTARD  
468. TOY HORSEHEAD FROM CIG BOX  
469. LOT - 2 TUMBLERS, LID FOR 1567 STICK BUTTER  
470. FROSTED LIGHT SHADE 8 IN, NOT HEISEY  
471. LOT 5 DECANter STOPPERS  
472. LOT 3 POINTED DECANter STOPPERS, SOME X  
473. LOT 10 MISC CRUET STOPPERS  
474. LOT 3 DECANter STOPPERS, INCL 2 - 1425  
475. LOT 7 MISC CRUET STOPPERS  
476. LOT 10 MISC CRUET STOPPERS  
477. LOT 10 MISC CRUET STOPPERS  
478. LOT 10 MISC CRUET STOPPERS  
479. BOX LOT 11 STOPPER/DAUBERS, 2 DUCK, 3 COLORED  
480. BOX LOT 12 COLOGNE STOPPER/DAUBERS  
481. LOT MISC SANITARY S & P INSERTS, SOME X  
482. LOT 3 SETS SANITARY TOPS FOR S & P  
483. LOT 3 SETS SANITARY TOPS FOR S & P  
484. LOT 3 SETS SANITARY TOPS FOR S & P  
485. LOT 3 SETS SANITARY TOPS FOR S & P  
486. LOT 3 SETS SANITARY TOPS FOR S & P  
487. LOT 3 SETS SANITARY TOPS FOR S & P  
488. LOT 3 SETS SANITARY TOPS FOR S & P  
489. LOT 3 SETS SANITARY TOPS FOR S & P  
490. LOT 3 SETS SANITARY TOPS FOR S & P  
491. LOT MISC METAL S & P TOPS, 9 PCS  
492. LOT 25 A PRISMS  
493. LOT 25 A PRISMS  
494. LOT 22 A PRISMS  
495. LOT 40 A PRISMS  
496. LOT OF OVER 40 A PRISMS  
497. LOT HEISEY 1 PIECE PRISMS, 2 & 3 IN  
498. LOT 20 HEISEY 1 PIECE PRISMS  
499. LOT 30 HEISEY 1 PIECE PRISMS  
500. LOT APPROX 30 HEISEY 1 PIECE PRISMS  
501. LOT 30 HEISEY 1 PIECE PRISMS  
502. 2 CRYSTOLITE BOBECHES W/PRISMS  
503. 2 CRYSTOLITE BOBECHES W/PRISMS  
504. LOT 22, 4 IN C PRISMS, FEW BEADS  
505. LOT 6, 5 IN C PRISMS, FEW BEADS  
506. LOT 10, 6 IN C PRISMS, NO BEADS  
507. LOT 2 WAVERLY LIDS  
508. LOT 4 PCS, INCL COCKTAIL SHAKER STRAINER  
509. BOTTOM FOR 1295 COV BUTTER, ROUGH BASE  
510. 1519 WAVERLY CANDY JAR BOTTOM ELKS CREST  
511. 160 LOCKET ON CHAIN LID FOR COV BUTTER  
512. 379 URN COV SUG X, FINIAL REP  
513. 1469 RIDGELEIGH COLOGNE BOTTLE, NO TOP  
514. COLONIAL CANDLE EPERGNETTE H, X  
515. 300 PEERLESS BOTTOM FOR COV BUTTER WORN  
516. IMPERIAL LAND OF LEGEND SOUV PLATES, 1972, 4  
517. LOT 10 MISC CRUET STOPPERS  
518. LOT 10 MISC CRUET STOPPERS  
519. LOT 4 - #300 CANDLE SOCKETS  
520. LOT 10 - #300 CANDLE SOCKETS  
521. LOT 10 MISC CRUET STOPPERS  
522. LOT 10 MISC CRUET STOPPERS  
523. LOT 10 MISC CRUET STOPPERS  
524. LOT 5 MISC STOPPERS  
525. LOT 20 A PRISMS  
526. LOT 14 1 1/2 IN PRISMS  
527. LOT 19 2 IN PRISMS  
528. LOT 24 A PRISMS  
529. LOT 14 C PRISMS, 4 IN W/BEADS  
530. LOT MISC GIRONDAL BEADS  
531. LOT 15 A PRISMS  
532. PARTIAL STRING OF BEADING  
533. LOT 20 C PRISMS W/BEADS  
534. MOONGLEAM FLOWER FROG FOR #134 BOWL  
535. CRYSTAL LADLE  
536. CANDELABRA EXTENTION & #1 SPOOL  
537. 2 SMALL MUSTARD SPOONS  
538. MUDDLER  
539. SAHARA & MNGLM STOPPERS FOR 1252 CRUETS  
540. MNGLM & FLAM STOPPERS FOR 1170 CRUETS  
541. FLAMINGO CANDLE SOCKET TOOTHPICK  
542. LOT OF 5 STOPPERS  
543. LOT OF 4 MISC PIECES  
544. ARM FOR 3 LT CANDELABRA  
545. 3 BOBECHES W/PRISMS, 1 EPERGNETTE  
546. 1504 REGENCY CANDY DISH DIV BOTTOM ONLY  
547. MUSEUM DEDICATION PAPERWEIGHT  
548. HEISEY AD & ORDER BLANKS  
549. 1980 ISSUES OF VOGELS NEWSCASTERS  
550. BOX LOT OF ODDS & ENDS, MOSTLY X
- End of 10/17/86 session
- Beginning of 10/18/86 session
551. 500 OCTAGON FLAMINGO CR & SUG H  
552. 1541 ATHENA CR, SUG & TRAY  
553. 479 MOONGLEAM HOTEL CR & SUG  
554. 1540 LARIAT CR & SUG H  
555. 1401 EMP SAHARA IND CR & SUG OLD COL ETCH H  
556. 1951 CABOCHON CR, COV SUG, TRAY H  
557. 1506 PROVINCIAL IND CR f & SUG H  
558. 1201 FANDANGO IND CR & SUG, WORN GOLD  
559. 1503 CRYSTOLITE IND CR & SUG H  
560. 1401 EMPRESS SAHARA IND CR & SUG H  
561. 1503 CRYSTOLITE CR & SUG H  
562. 479 FLAMINGO HOTEL CR & SUG  
563. 1201 FANDANGO CR & SUG X  
564. 411 TUDOR CREAM ? & SUG H  
565. 1469 RIDGELEIGH SUGAR H  
566. 433 GREEK KEY HOTEL SUG H, WORN  
567. 379 URN HOTEL COV SUG H, F  
568. 1540 LARIAT SUG CUT H  
569. 379 URN 7 OZ SYRUP H, NO TOP  
570. 1255 PINE/& FAN CUSTARD PITCHER H SOUV, X HDL  
571. 372 FLAMINGO 5 OZ SYRUP H  
572. 1205 FANCY LOOP CRUET  
573. 1184 YEOMAN SAHARA 4 OZ CRUET D O  
574. 1170 PLEAT & PANEL FLAM CRUET, WRONG STOPPER  
575. 1184 YEOMAN 2 OZ CRUET, FAINT H  
576. 1469 RIDGELEIGH CRUET, WRONG STOPPER  
577. 1425 VICTORIAN CRUET H  
578. 1235 BEADED PANEL & SUNBURST 4 OZ CRUET X  
579. 412 TUDOR 6 OZ CRUET H  
580. 433 GREEK KEY 4 OZ CRUET m

581. 1255 PINEAPPLE & FAN CRUET  
582. 1200 CUT BLOCK CRUET, NO STOPPER  
583. 1170 PLEAT & PANEL FLAMINGO CRUET  
584. 305 PUNTY & DIAMOND POINT SYRUP, NO TOP  
585. 4044 NEW ERA 2 LITE CANDELABRA COMPLETE PR  
586. 134 2 LITE CANDLESTICK ENCHANTRESS CUT  
587. 135 SAHARA CANDLESTICKS PR  
588. 300 1 LITE CANDELABRA COMPLETE PR  
589. TALL LAMPS W/CRYSTOLITE CANDLEBLOCKS PR  
590. 21 9 IN CANDLESTICKS PR H  
591. 142 3 LITE CANDLESTICKS BARCELONA CUT PR  
592. 1509 QUEEN ANNE CANDELABRA COMPLETE PR  
593. 21 7 IN CANDLESTICKS H PR, F  
594. 150 BANDED FLUTE HDL CANDLESTICKS PR  
595. 1503 CRYSTOLITE 2 LITE CANDLESTICKS PR  
596. 114 MOONGLEAM CANDLESTICKS PR  
597. 4 9 IN CANDLESTICKS H PR  
598. 4044 NEW ERA 2 LITE CANDLESTICKS PR  
599. 135 MOONGLEAM CANDLESTICKS, PR H  
600. 1503 CRYSTOLITE RND HURRICANES CUT GLOBES X  
601. 1540 LARIAT 2 LITE CANDLESTICKS PR  
602. 112 MERCURY FLAMINGO CANDLES PR W/BOBS X  
603. 21 19 IN BASE  
604. 301 2 LT CANDELABRA SHORT BASE PR COMPLETE  
605. 433 GREEK KEY GOBLET H  
606. 433 GREEK KEY GOBLET H  
607. 451 CROSS LINE FLUTE GOBLET H  
608. 1485 SATURN ZIRCON GOBLET  
609. 4083 STANHOPE ZIRCON GOBLET  
610. 7043 PANEL & DIAMOND POINT GOBLET H  
611. 1170 PLEAT & PANEL FLAMINGO GOBLET  
612. 1506 PROVINCIAL GOBLET  
613. 359 COLONIAL 7 OZ GOBLET H  
614. 351 PRISCILLA GOBLET H  
615. 3404 SPANISH COBALT GOBLET 2  
616. 1405 IPSWICH GOBLET H  
617. 1405 IPSWICH GOBLET H  
618. 1184 YEOMAN GOBLET D O 2  
619. 1590 ZODIAC ICE TEA  
620. U8005 GALAXY FLAMINGO GOBLET H  
621. 1295 BEAD SWAG CUSTARD GOBLET ROSE DECOR  
622. 407 COARSE RIB MOONGLEAM GOBLET H  
623. 337 TOURAINE AMBER GOBLET H  
624. 5040 LARIAT GOBLET 3 H  
ITEMS 625 THRU 637 ARE HEISEY ROSE ETCHED.  
625. 5072 ROSE GOBLET 8 H  
626. 5072 ROSE GOBLET H  
627. 5072 ROSE 12 OZ FTD ICE TEA 4 H  
628. 5072 ROSE 12 OZ FTD ICE TEA 6 H, 1 F  
629. 5072 ROSE COCKTAIL 2 H  
630. 5072 ROSE WINE H  
631. 5072 ROSE 5 OZ FTD JUICE H  
632. 5072 ROSE CHAMPAGNES 7 H  
633. 1519 WAVERLY 8 IN PLATE 12  
634. 1519 WAVERLY 8 IN PLATE  
635. 1519 WAVERLY IND CR & SUG  
636. 1519 WAVERLY 8 OZ FTD OIL  
637. 1435 3 IN ASHTRAY  
638. 1495 FERN RELISH FTD HDL 3 COMP CUT  
639. 1503 CRYSTOLITE 13 IN RELISH 3 COMP OVAL M  
640. 1401 EMPRESS MOONGLEAM 7 IN TRIPLEX RELISH  
641. 1185 YEOMAN MARIGOLD 12 IN CELERY TRAY D O  
642. 1401 EMP SAHARA 13IN PICKLE & OLIVE EMP ETCH  
643. 500 OCTAGON 12 IN VARIETY TRAY NIMROD CARV H  
644. 451 CROSS LINE FLUTE 12 CELERY H, F  
645. 1401 EMPRESS SAHARA 10 IN CELERY H  
646. 1184 YEOMAN MARIGOLD 9 IN CELERY EMP ETCH DO  
647. 1540 LARIAT 10 IN 3 COMP RND RELISH H  
648. 394 NARROW FLUTE 12 IN CELERY H  
649. 1191 MNGLM 9 IN HDL SPICE DISH SILVER/CUT  
650. 1252 TWIST MNGLM 13 IN RELISH 3 COMP H  
651. 1252 TWIST FLAMINGO 7 IN PICKLE H  
652. 1220 PUNTY BAND 6 IN PICKLE RED STAIN SOUV H  
653. 150 BANDED FLUTE 17IN SHALLOW P BOWL W/BASE H  
654. 433 GREEK KEY FRENCH ROLL TRAY H  
655. 433 GREEK KEY SM ICE TUB H  
656. 433 GREEK KEY TALL STRAW JAR, NO LID H

657. 333 WALDORF ASTORIA TOOTHPICK FAINT H  
658. 1220 T PICK RED STAIN SOUV 2 1/2 IN SCAL TOP H  
659. 1220 T PICK RED STAIN SCAL TOP 2 IN SOUV  
660. 1220 T PICK RED STAIN SOUV BEAD TOP H  
661. 1235 BEADED PANEL & SUNBURST T PICK, WORN GOLD  
662. 351 PRISCILLA TOOTHPICK H  
663. 352 FLAT PANEL TOOTHPICK  
664. 300 PEERLESS TOOTHPICK H  
665. 315 PANELLED CANE TOOTHPICK  
666. 1295 BEAD SWAG TOOTHPICK RED STAIN SOUV  
667. 310 RINGBAND CUSTARD TOOTHPICK SOUV  
668. 335 PRINCE OF WALES TOOTHPICK RED STAIN H  
669. 300 PEERLESS TOOTHPICK GOOD GOLD  
670. 310 RINGBAND CUSTARD TOOTHPICK SOUV  
671. 351 PRISCILLA TOOTHPICK H  
672. 351 PRISCILLA TOOTHPICK H  
673. 1201 FANDANGO TOOTHPICK  
674. 353 MED FALT PANEL TOOTHPICK TRAY H  
675. 353 MED FLAT PANEL TOOTHPICK TRAY H  
676. 300 PEERLESS TOOTHPICK H  
677. 1295 BEAD SWAG TOOTHPICK RED STAIN SOUV  
678. 310 RINGBAND CUSTARD TOOTHPICK SOUV  
679. 351 PRISCILLA TOOTHPICK  
680. 351 PRISCILLA TOOTHPICK H  
681. 1205 FANCY LOOP EMERALD TOOTHPICK WORN GOLD  
682. 393 NARROW FLUTE DOMINO SUGAR  
683. 4227 FAVOR VASE D O  
684. 4231 COBALT FAVOR VASE D O  
685. 2401 12 OZ SODA TALLY HO ETCH 6  
686. 4036 1 QT COCKTAIL SHAKER TALLY HO ETCH  
687. 2401 12 OZ SODA TALLY HO ETCH 5  
688. 2052 1 1/2 OZ BAR FOX CHASE ETCH  
689. 4002 AQUA CALIENTE COCKTAIL FOX CHASE ETCH  
690. 2401 8 OZ OLD FASHION FOX CHASE ETCH  
691. 2401 12 OZ SODA FOX CHASE ETCH  
692. 2052 BAR TALLY HO ETCH  
693. 2401 7 OZ SODA TALLY HO ETCH  
694. 4052 10 OZ SODA TALLY HO ETCH  
695. 2401 12 OZ SODA TALLY HO ETCH  
696. 3405 ALIBI 3 OZ COCKTAIL CLUB DRINK SCENE  
697. 2401 7 OZ SODA SKIER ETCH  
698. 2401 OLD FASHION NIMROD CARVING  
699. 2401 7 OZ SODA NIMROD CARVING  
700. 2401 12 OZ SODA NIMROD CARVING  
701. 4001 AQUA CALIENTE LANCASTER ETCH  
702. 1401 OLD FASHION POLO PLAYER ETCH  
703. 4002 AQUA CALIENTE ANTARCTIC ETCH  
704. 2401 OLD FASHION, CIRCUS CAMEL ETCH  
705. 2401 OLD FASHION CIRCUS ELEPHANT ETCH  
706. 2401 OLD FASHION CIRCUS WESTERN SCENE ETCH  
707. 2351 TODDY FISHERMAN ETCH  
708. 3397 GASCONY WINE SPORTSMAN ETCH  
709. 4163 12 OZ BEER MUG SPORTSMAN ETCH H  
710. 1184 YEOMAN 8 IN PLATE SAILBOAT CARVING  
711. 5024 OXFORD COCKTAIL WEST POINT CREST ETCH  
712. 5024 OXFORD COCKTAIL WEST POINT CREST ETCH 2  
713. 5024 OXFORD GOBLET WEST POINT CREST ETCH  
714. 1295 BEAD SWAG CUSTARD WINE SOUV  
715. 3397 GASCONY SAHARA WINE  
716. 1205 FANCY LOOP WINE  
717. 5011 YORKTOWN WINE HUGUENOT CUT 3  
718. 1540 LARIAT WINE 3 H  
719. 3304 UNIVERSAL WINES 11  
720. 3333 OLD GLORY WINE DEL MONTE CUT H  
721. 3304 UNIVERSAL CLARETS 4  
722. 1590 ZODIAC WINE H  
723. 1425 VICTORIAN WINE H  
724. 3365 RAMSHORN COCKTAIL URN CUT  
725. 3389 DUQUESNE SAHARA WINE CHINTZ ETCH  
726. 3312 GAYOSO FLAMINGO WINE D O 2  
727. 373 COLONIAL WINE H  
728. 3330 HANOVER WINE DOUBLE LOOP NEEDLE ETCH  
729. 1055 ASTOR WINE H  
730. 5079 PAN AMERICAN CLARET H  
731. 5086 PLANTATION IVY WINE PLANTATION IVY ETCH H  
732. 1425 VICTORIAN LONG STEM WINE H  
733. 1026 RAMSEY 4 1/2 OZ WHISKEY  
734. 339 CONTINENTAL WINE GOLD DEC H



888. 5086 PLANTATION IVY GOBLET PLAIN CUT FLUTES H  
889. 1184 YEOMAN MNGLM GOBLET D O  
890. 3362 CHARTER OAK MNGLM GOBLET H  
891. 419 SUSSEX COBALT GOBLET H  
892. 4044 NEW ERA COBALT GOBLET  
893. 3440 PORTSMOUTH MNGLM FTD GOBLET  
894. 3440 PORTSMOUTH MNGLM FTD GOBLET  
895. 3440 PORTSMOUTH FLAM FTD GOBLET  
896. 2516 CIRCLE PAIR FLAM GOBLET  
897. STANDING COLT  
898. STANDING COLT f base  
899. STANDING COLT  
900. STANDING COLT  
901. STANDING COLT  
902. KICKING COLT  
903. KICKING COLT, TAIL REPAIR  
904. DONKEY  
905. DONKEY  
906. OSCAR  
907. OSCAR  
908. AMBER OSCAR  
909. AMBER OSCAR  
910. AMBER FLYING MARE H m  
911. SCOTTY  
912. SCOTTY  
913. SMALL ELEPHANT  
914. LARGE ELEPHANT  
915. LARGE ELEPHANT, C ON TRUNK  
916. POUTER PIGEON  
917. POUTER PIGEON  
918. CLYDESDALE  
919. GOOSE WINGS HALF  
920. GOOSE WINGS HALF  
921. GOOSE WINGS HALF  
922. GOOSE WINGS UP  
923. GOOSE WINGS UP  
924. MALLARD WINGS UP  
925. ROOSTER VASE  
926. FIGHTING ROOSTER BEAK REPAIR  
927. SITTING PIGLET 2  
928. STANDING PIGLET  
929. SPARROW  
930. CYGNET  
931. CYGNET  
932. FISH BOOKEND 2  
933. FISH BOWL H  
934. ASIATIC PHEASANT, RT JAW MISSING X, H  
935. ASIATIC PHEASANT, H  
936. RINGNECK PHEASANT FROSTED m BASE  
937. RINGNECK PHEASANT FROSTED  
938. GIRAFFE HEAD BACK m  
939. GIRAFFE HEAD TURNED  
940. 3390 CARCASSONNE SAHARA LO FTD GOB W O 6, 1F  
941. 3390 CARCASSONNE SAHARA CHAMP W O 6  
942. 3390 CARCASSONNE SAHARA SHERBET W O 6, 1X  
943. 3390 CARCASSONNE SAHARA CHAMP W O XXX  
944. 1401 EMPRESS SAHARA D F MAYO W/LADLE H  
945. 1401 EMPRESS SAHARA 7 IN TRIPLEX RELISH  
946. 1401 EMPRESS SAHARA DOLPH FIN COV LEMON CUT H  
947. 1401 EMPRESS SAHARA D F CR, SUG & TRAY H  
948. 1401 EMPRESS SAHARA IND CR, SUG & TRAY H  
949. 1401 EMPRESS SAHARA 13 IN CELERY 2  
950. 1401 EMPRESS SAHARA D F ICE BUCKET METAL HDL H  
951. 1401 EMPRESS SAHARA D F PITCHER H  
952. 1401 EMPRESS SAHARA 10 IN HDL SALAD BOWL H  
953. 1401 EMPRESS SAHARA 4 1/2 IN NAPPY 7 H  
954. SAHARA COLD LINER 3 H  
955. 1401 EMPRESS SAHARA D F 6 IN MINT 2 H  
956. 1401 EMPRESS SAHARA 7 1/2 RND PLATES 6 H  
957. 1401 EMPRESS SAHARA 8 IN SQ PLATE 10 H  
958. 1401 EMPRESS SAHARA 7 IN SQ PLATE 9 H  
959. 1401 EMPRESS SAHARA 8 IN RND PLATE 8 H  
960. 1401 EMPRESS SAHARA C/RND SAUCERS, 7 SETS H  
961. 1401 EMPRESS SAHARA 6 IN RND SAUCERS 2 H  
962. 1401 1/2 EMPRESS SAHARA C/RND SAUCERS 4 SETS H  
963. 1401 EMPRESS SAHARA DEMITASSE C/S 6 SETS H  
963A. 1401 EMPRESS SAHARA D F IND NUT DISH 6  
964. 1200 CUT BLOCK CREAMER RED STAIN SOUV  
965. 1295 BEAD SWAG PUNCH CUP RED STAIN SOUV  
966. 1295 BEAD SWAG HDL MUG RED STAIN SOUV  
967. 1220 PUNTY BAND HDL MUG RED STAIN SOUV  
968. 1255 PINE & FAN 5 IN PITCHER RED STAIN SOUV  
969. 4225 PT COCKTAIL SHAKER ROOSTER STOPPER, US  
970. 5038 ROOSTER STEM COCKTAIL 2  
971. 5048 ROOSTER HEAD COCKTAIL 3  
972. 5048 AMBER ROSTER HEAD COCKTAIL  
973. MNGLM DUCK STOPPER 2  
974. DUCK STOPPER  
975. MNGLM DUCK STOPPER  
976. PENGUIN STOPPER  
977. GOOSE STOPPER  
978. ROOSTER HEAD STOPPER  
979. SMALL HORSEHEAD STOPPER  
980. 1519 WAVERLY LION TRINKET BOX H  
981. 110 MNGLM DOLPHIN LAMP  
982. 1503 CRYSTOLITE MASTER SWAN NUT  
983. 1503 CRYSTOLITE IND SWAN NUT 14  
984. 1489 PURITAN SM HORSEHEAD COV CIG BOX  
985. 1489 PURITAN SM HORSEHEAD COV CIG BOX  
ITEMS 986 THRU 1048 ARE HEISEY BY IMPERIAL  
986. SM FROSTED PINK ELEPHANT  
987. SM IRID PINK ELEPHANT  
988. DARK BLUR MOTHER RABBIT  
989. CAMEL SLAG BUNNIE HEAD DOWN  
990. BLACK TIGER PAPERWEIGHT  
991. DARK BLUE WOOD DUCK  
992. CAMEL SLAG WOOD DUCK  
993. PINK SATIN FLOATING WOOD DUCKLING  
994. CAMEL SLAG CYGNET  
995. DARK BLUE SCOTTY  
996. MILK GLASS SCOTTY  
997. MILK GLASS RABBIT PAPERWEIGHT  
998. MILK GLASS STANDING PONY  
999. DARK BLUE STANDING WOOD DUCKLING  
1000. DARK BLUE DONKEY  
1001. DARK BLUE CLYDESDALE ON BUST OFF  
1002. DARK BLUE GAZELLE  
1003. YELLOW BULL ON BUST OFF X  
1004. CRYSTAL FILLY HEAD BACK  
1005. CRYSTAL FILLY HEAD FORWARD  
1006. CAMEL SLAG STANDING PONY  
1007. CAMEL SLAG STANDING PONY  
1008. H C A SOUV OSCAR GREEN 1977  
1009. H C A SOUV OSCAR YELLOW 1979  
1010. H C A SOUV OSCAR PURPLE FROSTED 1979  
1011. H C A SOUV OSCAR PURPLE FROSTED 1979  
1012. H C A SOUV OSCAR LT BLUE 1981  
1013. H C A SOUV OSCAR DARK GREEN 1982  
1014. YELLOW HEN  
1015. PINK FROSTED HEN  
1016. CARNIVAL RINGNECK PHEASANT  
1017. AMBER STANDING PIGLET  
1018. AMBER SITTING PIGLET  
1019. DARK GREEN SWAN HANDLED PITCHER  
1020. AMBER LION TRINKET BOX  
1021. DARK AMETHYST ELEPHANT HDL MUG, NIXON - FORD  
1022. AURORA JEWELS ELEPHANT HDL CHILDS MUG 2  
1023. MILK GLASS ELEPHANT HDL CHILDS MUG  
1024. LT GREEN IRID ELEPHANT HDL CHILDS MUG  
1025. VERDE GREEN ELEPHANT HDL CHILDS MUG  
1026. LRG GREEN FROSTED BALL VASE  
1027. VERDE GREEN IPSWICH COV CANDY  
1028. AMETHYST IPSWICH FLORAL BOWL  
1029. PINK FLARED CATHEDRAL VASE  
1030. BROWNISH AMETHYST SPIRAL OPTIC VASE  
1031. VERDE GREEN ZODIAC SODAS 6  
1032. VERDE GREEN OLD WMSBURG SODA  
1033. NUT BROWN OLD WMSBURG GOBLET  
1034. AMBERINA OLD WMSBURG GOBLET  
1035. LT GREEN OLD WMSBURG GOBLET  
1036. SMOKE OLD WMSBURG GOBLET  
1037. PLANTATION COCKTAIL AMBER STEM  
1038. PLANTATION COCKTAIL AMBER STEM 4  
1039. VERDE GREEN PROVINCIAL TUBLERS 4  
1040. DARK GREEN TOY CANDLESTICKS PR

PAID ADVERTISEMENT

1041.	AMBER LODESTAR ASH TRAY	1117.	3390 CARCASSONNE SAHARA LOW GOB OLD COL ETCH
1042.	AMBER COLONIAL COV CANDY	1118.	1483 STANHOPE GOBLET FROSTED MATTE ETCH
1043.	AZALEA VICTORIAN COMPOTE	1119.	339 CONTINENTAL GOBLET H
1044.	BLACK PURITAN BRIDGE SET ASH TRAYS, 4 PCS	1120.	3350 WABASH GOBLET FRONTENAC ETCH H
1045.	AURORA JEWELS TOP HAT TOOTHPICK 3	1121.	U8029 PRINCESS LILY GOBLET H
1046.	2 VERDE GREEN WAVERLY LIDS FOR CANDY	1122.	411 TUDOR GOBLET H
1047.	2 BLUE LIDS 1 WAVERLY CANDY, 1 ZODIAC	1123.	1235 BEADED PANEL S/BURST IND SALT 4, ROUGH
1048.	AMBER PEERLESS COV SUGAR	1124.	1469 RIDGELEIGH IND SALT 4 H
1049.	H C A VASELINE CUP PLATE HORSE & RIDER	1125.	1183 REVERE FLAM SALT TUB
1050.	H C A VASELINE CUP PLATE FANDANGO PITCHER	1126.	1183 REVERE MNGLM SALT TUB
1051.	H C A CRYSTAL CUP PLATE FANDANGO PITCHER	1127.	1183 REVERE FLAM SLAT TUB 3
1052.	3366 TROJAN CORDIAL CUT	1128.	1201 FANDANGO IND SALT 2
1053.	3390 CARCASSONNE CORDIAL OLD COLONY ETCH	1129.	331 COLONIAL IND SALT f
1054.	3304 UNIVERSAL CORDIAL	1130.	1225 PLAIN BAND IND SALT
1055.	3304 UNIVERSAL 1 OZ POUSSE CAFE	1131.	1183 REVERE SALT TUB CUT H
1056.	4044 NEW ERA CORDIAL H	1132.	1183 REVERE SALT TUB CUT H
1057.	6003 TEMPO CORDIAL H	1133.	1183 REVERE SALT TUB CUT H
1058.	300 PEERLESS CORDIAL 2 H, BRIT REG MARK	1134.	429 PLAIN PANEL RECESS IND SALT 3
1059.	300 PEERLESS CORDIAL 5 H	1135.	429 PLAIN PANEL RECESS IND SALT 4, 2 H
1060.	5078 PARK AVENUE CORDIAL H	1136.	393 NARROW FLUTE IND SALT H
1061.	5019 WAVERLY CORDIAL 3 H, REP TO BOTTOM	1137.	1235 BEADED PANEL S/BURST IND SALT f
1062.	5024 OXFORD CORDIAL IVY ETCH H	1138.	379 URN IND SALT
1063.	373 OLD WMSBRG CORDIAL H	1139.	1183 REVERE IND SALT
1064.	393 NARROW FLUTE CORDIAL H	1140.	393 NARROW FLUTE IND SALT H
1065.	5013 SHASTA CORDIAL COURTSHIP CUT	1141.	1183 REVERE IND SALT
1066.	3366 TROJAN CORDIAL TROJAN ETCH MNGLM STEM H	1142.	1205 FANCY LOOP IND SALT 4
1067.	412 TUDOR 2 OZ BAR FLARED H	1143.	12000 CUT BLOCK IND SALT f
1068.	3481 GLENFORD MNGLM FT 3 OZ COCKTAIL	1144.	1225 PLAIN BAND IND SALT H f
1069.	1404 OLD SANDWICH SAHARA 1 OZ BAR H	1145.	1469 RIDGELEIGH IND SALT 8 IN ORIG BOX FEW H
1070.	1404 OLD SANDWICH SAHRAR 1 OZ BAR H	1146.	31 TOY HDLD CANDLESTICKS PR 1 H
1071.	6060 COUNTRY CLUB 2 OZ BAR TORPEDO SHAM	1147.	31 TOY HDLD CANDLESTICKS PR 1 H
1072.	6060 COUNTRY CLUB 2 OZ BAR TORPEDO SHAM 5	1148.	31 TOY HDLD CANDLESTICKS PR H
1073.	412 TUDOR 2 OZ BAR FLARED H	1149.	5 5 IN TOY CANDLESTICKS PR H
1074.	150 BANDED FLUTE BAR OR TOOTHPICK H	1150.	30 TOY CANDLESTICK H
1075.	1469 RIDGELEIGH 1 OZ BAR H	1151.	33 TOY CANDLESTICK H
1076.	1486 COLEPORT BAR H f	1152.	33 TOY CANDLE H
1077.	2401 1 OZ BAR PIED PIPER ETCH	1153.	33 TOY CANDLE H
1078.	1425 VICTORIAN 2 OZ BAR H	1154.	305 PUNTY & DIA POINT COLOGNE NO LID
1079.	4054 CORONATION 2 OZ BAR 2	1155.	352 KNIFE REST H
1080.	2323 NAVY BAR PLAIN	1156.	1220 PUNTY BAND CUSTARD SALT & PEPPER SOUV IC
1081.	3481 GLENFORD D O FLAM 1 1/2 OZ BAR	1157.	433 GREEK KEY SHAKER H
1082.	3480 KOORS 29 FLAM D O FTD BAR	1158.	433 GREEK KEY SHAKER H
1083.	4159 21 OZ ICE LIP JUG	1159.	1567 PLANTATION SALT & PEPPER H
1084.	335 PRINCE OF WALES WATER JUG H WORN GOLD X	1160.	3480 PLATEAU FLAM D O SALT & PEPPER
1085.	1205 FANCY LOOP TANKARD, GOOD GOLD X HDL	1161.	COLONIAL SALT & PEPPER CLOUDY H
1086.	1225 PLAIN BAND TANKARD	1162.	1485 SATURN SALT & PEPPER, STERLING TOPS
1087.	1205 FANCY LOOP TANKARD NO GOLD	1163.	1519 WAVERLY SALT & PEPPER, STERLING TOPS H
1088.	300 PEERLESS CLARET JUG	1164.	1401 EMP S & P GL TOPS CHINTZ ETCH 1 CLOUDY
1089.	379 URN JUG, ROUGH ON EDGES X	1165.	1489 PURITAN ? SALT & PEPPER
1090.	2516 CIRCLE PAIR FLAM D O 2 QT PITCHER X HDL	1166.	46 FLAMINGO SALT SHAKER
1091.	150 BANDED FLUTE 3 PT JUG H	1167.	1519 WAVERLY SALT SHAKER, SILVER ROSE DEC
1092.	4206 OPTIC TOOTH FLAM D O 3 PT JUG	1168.	1205 FANCY LOOP SALT SHAKER FAIR GOLD
1093.	517 QT JUG W/TUMBLER CUT H	1169.	1404 OLD SANDWICH FLAM SALT SHAKER
1094.	1404 OLD SANDWICH SAHARA ICE LIP PITCHER H	1170.	352 COLONIAL FLARED ICE CREAM CONE HOLDER
1095.	1404 OLD SANDWICH FLAM PITCHER H	1171.	1425 VICTORIAN CONDIMENT SET H, NO PADDLE
1096.	1401 EMPRESS SAHARA D F PITCHER	1172.	394 NARROW FLUTE COV MUSTARD & PADDLE H
1097.	4164 73 OZ JUG, 6 GOBLET'S ALL WINDSOR CUT	1173.	393 NARROW FLUTE COV MUSTARD H c
1098.	1567 PLANTATION SODA 8 & NON HEISEY JUG CUT	1174.	1252 TWIST MNGLM COV MUSTARD H
1098A.	341 1/2 PURITAN 3 PT PITCHER H, X HDL, WORN	1175.	351 COLONIAL COV MUSTARD H
1099.	4004 IMPROMPTU 10 OZ GOBLET	1176.	351 COLONIAL COV MUSTARD & PADDLE H
1100.	804 BRUNSWICK GOBLET	1177.	1401 EMPRESS FLAM COV MUSTARD H
1101.	3325 RAMPUL HAWTHORNE D O GOBLET	1178.	1469 RIDGELEIGH COV MUSTARD H
1102.	U8032 CAPITAL GOBLET	1179.	5010 SYMPHONE GOBLET MINUET ETCH 9
1103.	3324 DELAWARE FLAM D O GOBLET	1180.	5010 SYMPHONE SHORT GOBLET MINUET ETCH 8
1104.	3390 CARCASSONNE GOBLET OLYMPIAD ETCH	1181.	5010 SYMPHONE COCKTAIL MINUET ETCH 9
1105.	3312 GAYOSO GOBLET ACROPOLIS ETCH	1182.	5010 SYMPHONE COCKTAIL MINUET ETCH
1106.	341 PURITAN 9 OZ GOBLET H	1183.	5010 SYMPHONE SHERBET MINUET ETCH 12, 3 f
1107.	3380 OLD DOMINION GOBLET MNGLM BOWL	1184.	5010 SYMPHONE SHERBET MINUET ETCH 7, 1 f
1108.	5067 PLANTATION GOBLET IVY ETCH H	1184A.	1509 QUEEN ANNE 8 IN PLATES MINUET ETCH 8
1109.	3320 ELEGANCE GOBLET ROSE ETCH	1185.	1509 QUEEN ANNE FTD HDL MINT, MINUET ETCH H
1110.	3404 SPANISH COBALT GOBLET W O	1186.	1509 QUEEN ANNE D F 6 IN MINT MINUET ETCH
1111.	818 FIFTH AVENUE GOBLET N O H	1187.	1509 QUEEN ANNE D F CR & SUG MINUET ETCH x
1112.	5092 EMPRESS LILY GOBLET	1188.	3390 CARCASSONNE COBALT CIG HOLDER
1113.	3355 FAIRACRE GOBLET D O H	1189.	3390 CARCASSONNE SAHARA CIG HOLDER
1114.	5010 SYMPHONE GOBLET MINUET ETCH MINUET LABEL	1190.	3390 CARCASSONNE CIG HOLDER MONOGRAM
1115.	3390 CARCASSONNE COBALT GOBLET	1191.	3390 CARCASSONNE CIG HOLDER
1116.	3331 STATUESQUE GOBLET GRECIAN URN ETCH H	1192.	1469 RIDGELEIGH 2 1/2 IN COASTER 5, H
		1193.	1184 YEOMAN FLAM 4 IN HDLD ASHTRAY

- |       |      |                                          |       |                   |                                         |
|-------|------|------------------------------------------|-------|-------------------|-----------------------------------------|
| 1194. | 1503 | CRYSTOLITE IND LEAF NUT 4, 2 H           | 1239. | 1503              | CRYSTOLITE SHELL COV CANDY              |
| 1195. | 1404 | OLD SANDWICH IND ASHTRAY 5 H             | 1240. | 1503              | CRYSTOLITE SHELL COV CANDY              |
| 1196. | 1404 | OLD SANDWICH COBALT IND ASHTRAY H        | 1241. | 1503              | CRYSTOLITE SHELL COV CANDY M            |
| 1197. | 1404 | OLD SANDWICH COBALT IND ASHTRAY H        | 1242. | 1401              | EMPRESS SAHARA D F 6 IN COV CANDY H     |
| 1198. | 1404 | OLD SANDWICH COBALT IND ASHTRAY H        | 1243. | 1540              | LARIAT 5 1/2 IN COV CANDY               |
| 1199. | 1404 | OLD SANDWICH SAHARA IND ASHTRAY H        | 1244. | 341               | PURITAN MEDIUM COV MARMALADE JAR H, F   |
| 1200. | 1404 | OLD SANDWICH IND ASHTRAY 4 H             | 1245. | 1495              | FERN MAYO BOWL/PLATE BELVEDERE ETCH     |
| 1201. | 1401 | EMPRESS COBALT DIAMOND ASHTRAY H, f      | 1246. | 1252              | TWIST MAYO                              |
| 1202. | 1401 | EMPRESS DIAMOND ASHTRAY H                | 1247. | 1183              | REVERE COMFORT SWIRL OPTIC MNGLM STEM H |
| 1203. | 441  | GRAPE LEAF SQUARE FLAMINGO ASHTRAY       | 1248. | 1252              | TWIST MNGLM 7 IN HI FTD COMFORT         |
| 1204. | 1489 | PURITAN 6 IN ASHTRAY CUT                 | 1249. | 1540              | LARIAT ROLLED EDGE VASE 4 IN HIGH       |
| 1205. | 1469 | RIDGELEIGH 3 1/2 IN COASTER 2, 1f        | 1250. | 1509              | QUEEN ANNE MAYO ROSALIE ETCH            |
| 1206. | 1469 | RIDGELEIGH LIMELIGHT 3 1/2 IN COASTER 2  | 1251. | 1229              | OCTAGON MNGLM D O FTD MAYO              |
| 1207. | 1540 | LARIAT 4 IN COASTER 4                    | 1252. | 1229              | OCTAGON HAWTHORNE FTD MAYO              |
| 1208. | 1469 | RIDGELEIGH SAHARA 3 1/2 IN COASTER 4     | 1253. | 341               | PURITAN HIGH FTD JELLY H                |
| 1209. | 9    | 3 IN COASTER, 6 H, 1f                    | 1254. | 1519              | WAVERLY OVAL NUT FTD COMFORT            |
| 1210. | 351  | PRISCILLA IND BUTTER 5 H                 | 1255. | 3380              | OLD DOM FTD GRAPEFRUIT D O MNGLM STEM H |
| 1211. | 1540 | LARIAT WINE                              | 1256. | 1565              | DAWN 6 1/2 IN OVAL JELLY H              |
| 1212. | 3366 | TROJAN SAHARA D O OYSTER COCKTAIL        | 1257. | 412               | TUDOR HAWTHORNE HDL MAYO W/PLATE H      |
| 1213. | 3381 | CREOLE SAHARA D O OYSTER COCKTAIL        | 1258. | 1125              | 8 IN PLATE WORN H                       |
| 1214. | 3380 | OLD DOM SAHARA D O OYS COCK OLD COL ET 7 | 1259. | DEEP              | PLATES 8 IN, 2 H CUT                    |
| 1215. | 365  | OLD QUEEN ANNE EGG CUP 2 H               | 1260. | 1184              | LOW FTD SALVER MNGLM BASE H             |
| 1216. | 4091 | KIMBERLY COCKTAIL COURTSHIP CUT 2, 1REP  | 1261. | 352               | FLAT PANEL CANDY TRAY 8 IN H            |
| 1217. | 3381 | CREOLE COCKTAIL ALEXANDRITE BOWL ONLY    | 1262. | 1252              | TWIST MARIGOLD 4 IN PLATE H             |
| 1218. | 3381 | CREOLE COCKTAIL ALEXANDRITE              | 1263. | 8                 | IN PLATE W/DOLLY MADISON ROSE CUT       |
| 1219. | 3368 | ALBEMARLE WINE FLASHED GOLD              | 1264. | 8                 | IN DEEP PLATE CUT H                     |
| 1220. | 419  | SUSSEX MNGLM COCKTAIL 2 H                | 1265. | 411               | TUDOR 11 IN PLATE CUT H                 |
| 1221. | 1483 | STANHOPE COCKTAIL                        | 1266. | 9                 | 1/2 IN DEEP PLATE CUT                   |
| 1222. | 3304 | UNIVERSAL COCKTAIL W O                   | 1267. | 12                | IN PLATE CUT                            |
| 1223. | 3362 | CHARTER OAK FLAMINGO D O WINE 2 H        | 1268. | 1127              | FINE TOOTH 7 IN PLATE SILVER DECOR H    |
| 1224. | 6010 | FINESSE COCKTAIL ULTRONIC CUT            | 1269. | 1232              | MOONGLEAM 8 IN PLATE H                  |
| 1225. | 1540 | LARIAT COCKTAIL                          | 1270. | 1238              | BEEHIVE FLAMINGO 8 IN PLATE f           |
| 1226. | 5019 | WAVERLY COCKTAIL                         | 1271. | 1401              | EMPRESS FLAMINGO SAUCERS 7 H            |
| 1227. | 373  | COLONIAL COCKTAIL 3 H                    | 1272. | 407               | COARSE RIB 7 IN PLATES 11 H             |
| 1228. | 5011 | YORKTOWN COCKTAIL HUGUENOT CUT 8         | 1273. | 393               | NAR FLUTE 7 IN PLATES 4 H, 1 COL PLT H  |
| 1229. | 5079 | LEGIONNAIRE COCKTAIL ARCADIA CUT 5 H     | 1274. | 1225              | 8 IN PLATES 6 FAINT H                   |
| 1230. | 3408 | JAMESTOWN COCKTAIL BARCELONA CUT 3 H     | 1275. | RIDGELEIGH        | TYPE 8 IN PLATE                         |
| 1231. | 5019 | WAVERLY COCKTAIL 3                       | 1276. | 393               | NARROW FLUTE 5 IN PLATES 5 H            |
| 1232. | 359  | COLONIAL 3 OZ COCKTAIL 4 H               | 1277. | 4                 | 1/2 IN PLATE H                          |
| 1233. | 350  | PINWHEEL & PAN 8 IN NAPPY H              | 1278. | 1540              | LARIAT SAUCER                           |
| 1234. | 4056 | 11 SALAD BOWL COHASSETT CUT              | 1279. | 393 (2) & 407 (1) | 6 IN PLATES H                           |
| 1235. | 433  | GREEK KEY 7 1/2 IN NAPPY H               | 1280. | 1509              | QUEEN ANNE 7 1/2 IN PLATE               |
| 1236. | 1509 | QUEEN ANNE HDLD DTD 8 IN BOWL H          | 1281. | 1252              | TWIST NEWARK SESQUI PLATTERS 12 IN (2)  |
| 1237. | 1231 | OCTAGON SAHARA CENT HDLD SANDWICH TRAY H |       |                   |                                         |
| 1238. | 343  | SUNBURST 11 IN SHALLOW NAPPY H, F        |       |                   |                                         |

MAIL BIDS ACCEPTED WITH CHECKS FOR MAXIMUM AMOUNT. MAIL BIDS ARE HANDLED COMPETITIVELY AND ANY DIFFERENCE REFUNDED. CONDITION OF ITEMS FOR MAIL BIDS HANDLED AT THE DISCRETION OF AUCTIONEER. ITEMS HAVE BEEN CHECKED AT THE TIME OF CATALOGING TO THE THE BEST OF OUR ABILITY. THEY WILL BE CHECKED AGAIN CLOSELY PRIOR TO SELLING. IN SOME CASES WHERE DAMAGE IS FOUND TO BE MINIMAL, WE MAY EXECUTE YOUR BID UP TO 70% TO 80% OF MAXIMUM. MARK YOUR LIST MINT ONLY IF YOU DO NOT WANT US TO USE OUR DISCRETION IN EXECUTING YOUR BIDS. MOLD FLAWS ARE NOT CONSIDERED DAMAGE. PLEASE BID IN INCREMENTS OF AT LEAST \$2.50. EXAMPLE - DO NOT BID 11.00 OR 26.00, AS BIDDING IS GOING LIKE 25.00 - 27.50 - 30.00. IT IS NO LONGER POSSIBLE TO ACCEPT BIDS LIKE "IF I DON'T GET ONE ITEM ADD IT ON TO ANOTHER". WE ARE NOW HANDLING IN EXCESS OF 600 MAIL BIDS PER AUCTION. WHEN COMPLICATIONS ARE THROWN IN SOMETIMES WE MISS A BID. ANY BID OF 5.00 OR LESS WILL BE USED AS AN OPENING BID. IN CASE OF IDENTICAL BIDS, EARLIEST POSTMARK WILL BE USED. YOU CAN HELP US TO HELP YOU. WE ENJOY HANDLING YOUR MAIL BIDS. IF YOU HAVE ANY QUESTIONS - DON'T HESITATE TO CALL US. PLEASE ADD 9.00 PER CARTON FOR POSTAGE AND HANDLING, 11.00 WEST OF ROCKY MOUNTAINS.

CHECKS SHOULD BE MADE TO: APPLE TREE AUCTION CENTER  
1616 WEST CHURCH STREET  
NEWARK, OHIO 43055

LIST OF PRICES REALIZED AVAILABLE AFTER AUCTION FOR \$1.00.

PLEASE NOTE THE FOLLOWING CONDITION CODES TO HELP IN BIDDING:

F	f	FLAKE	B	b	BRUISE	R	r	REPAIRED
C	c	CRACK	M	m	MOLD FLAW	X	x	MAJOR DAMAGE

SAM SCHNAIDT & TIM HUGHES, AUCTIONEERS (614) 344 - 4282  
FRANK FRYE, MANAGER (614) 345 - 4001

<p><b>A.W. PARKER</b> Heisey &amp; Pattern Glass Shows or Appointment Magalia, CA 95954 PH: (916) 873 2326</p>	<p><b>"HAPPINESS IS" THE STULTZ'S</b> Show and Mail - Elegant Glass Circa 1890-1960 3106 Warren Court Glen Allen, VA 23060 PH: (804) 262-1273 (Richmond Area)</p>	<p><b>EAGLES REST ANTIQUES</b> China Heisey Antiques Mary Evans 62 Fieldpoint Rd. Heath, Oh. 43056 PH: (614) 522-2035</p>	<p><b>SYD'S A&amp;J at THATCHERS FORGE</b> Heisey, Collectible, &amp; Antique Glass 338 Bank St., Harwich Center Cape Cod, Mass 02645 Chance or Appointment PH: (617) 432-3007</p>
<p><b>A DOOR ANTIQUES</b> Heisey My Specialty 4241 Bayard Road South Euclid, OH 44121 PH: (216) 381-3008</p>	<p><b>GERT'S GLASS</b> Heisey &amp; Duncan Gertrude &amp; Russell Swetnam 1926 Saratoga Dr., Adelphi, MD 20783 PH: (301) 434-5113</p>	<p><b>MOSTLY HEISEY</b> Rhoda Curley 16 Clayton Place Albany, NY 12209 By Appointment, PH: (518) 482 6272</p>	<p><b>J.J. &amp; BOB MC KEE</b> Pottery Glassware Collectibles 334 W. 75th St. Kansas City, MO. 64114 wed-sun 10-5 (816) 361-2544</p>
<p><b>ALL HEISEY AUCTION</b> Consignments Welcome Apple Tree Auction Center 1616 W. Church, Newark, OH 43055 PH: (614) 344-9449</p>	<p><b>VIRGINIA AND ODELL JOHNSON</b> Rt. 1, Box 1324 Hayward, WI. 54845 PH: (715) 462-3753</p>	<p><b>MOUND BUILDERS ANTIQUES</b> Heisey &amp; Animals, General Antiques Irene Rauck 1138 Moundview, Newark, OH 43055 PH: (614) 344-6043</p>	<p><b>SINGLETREE ANTIQUES</b> Cut, Pattern &amp; Heisey Glass 10717 Staples Mill Rd, Glen Allen, Va. 23060 Chance or appointment (804) 266-3795</p>
<p><b>ANN'S GIFTS &amp; ANTIQUES</b> 105 W. Main St., Hebron, OH 43025 Intersection of Rts. 40 &amp; 79 Next door to Daisy Queen Daily 10:30 to 5:30</p>	<p><b>GLASS WITH CLASS</b> Lenore A Shelley, GGHC 1336 Lincoln Avenue San Jose, CA 95125 PH: (408) 286-8098</p>	<p><b>HELEN &amp; JIM KENNON</b> Heisey, Cambridge, Fostoria, Duncan, Imperial, Fenton, Tiffin P.O. Box 414 Brookville, OH 45309 PH: (513) 833 5406 SHOWS ONLY</p>	<p><b>THE PURPLE PLACE</b> Featuring Heisey &amp; Other Fine Glass Martha &amp; Harold Earp 1940 Suwanee, Ft. Myers, FL 33901 PH: (813) 936-1572 Anytime</p>
<p><b>ANTIQUES - THE SHULTZES</b> 206-208 East Main St. Newmanstown, PA 17073 15 Miles West of Reading, PA PH: (215) 589 2819</p>	<p><b>GREEN ACRES FARMS</b> Antiques, Crystal Glass &amp; Collectibles 2678 Hazelton-Etna Rd., SW (S.R. 310-N) Pataskala, OH 43062 Sat. or Sun. PM or call (614) 927-1882</p>	<p><b>R &amp; L ANTIQUES - SAN FRANCISCO</b> Shows only - always lots of Heisey Member of Golden Gate Heisey Club P.O. Box 3614 Daly City, CA 94015 PH: (415) 621 6693</p>	<p><b>TACOMA ANTIQUE GALLERY</b> A Collectors' Mall 745 Broadway Downtown Tacoma, WA 98402 (Stop on the way to Expo 86)</p>
<p><b>AVERY'S QUALITY ANTIQUES</b> Specializing in Heisey Shows or by Appointment 2112 First St., Jackson, MI 49203 PH: (517) 783-4075</p>	<p><b>H &amp; R DIAMOND H</b> Helen &amp; Robert Rarey 1450 White Ash Dr. Columbus, OH 43204 PH: (614) 279-0390 after 5:30</p>	<p><b>RAMBLING LANE ANTIQUES</b> Featuring Heisey &amp; other fine glass Keith &amp; Evelyn Hoover 1978 Rambling Lane, Rhinelander, WI 54501 PH: (715) 282 5019</p>	<p><b>ALFA I CARRIAGE HOUSE ANTIQUES</b> Featuring Depression &amp; Elegant Glassware Al &amp; Faye Maness 508 E Cary Street Richmond, VA 23219 PH (804) 788-1630</p>
<p><b>B &amp; B HEISEY &amp; COLLECTIBLES</b> B. Whaley 300 International Dr. Pataskala, OH. 43062 By Appointment: PH: (614) 927 1557</p>	<p><b>CHARLOTTE'S GLASS REFLECTIONS</b> Quality Glassware Specializing in Fostoria 6816 14th St. W., Bradenton, FL 33507 PH: (813) 756-4143</p>	<p><b>RAY ZIEGLER</b> Glass Repair 185 County Line Westerville, OH 43081 PH: (614) 891-9700</p>	
<p><b>C.E. HIGGINS (S.F. Bay Area)</b> Shows and Mail Order P.O. Box 2723 Menlo Park, CA 94025 PH: (415) 322-0192 Evenings</p>	<p><b>HARRALSON'S HAPPY HEISEY HUNTERS</b> Sponsdr SPFD. MO's Super Antique Show 77 Quality Dealers From 10 States 1986 Dates: May 31-June 1 Nov. 15-16 Info: 1426 W. Highland, Springfield, MO. 65807</p>	<p><b>SCHWAN'S ANTIQUES</b> SHOWS &amp; MAILORDER 77 Lagos del Norte Ft. Pierce, FL 33451 PH: (305) 461-5940</p>	
<p><b>C &amp; J ANTIQUES</b> Cole &amp; Jean Mesner Box 45, 72 Whig St. Newark Valley, NY 13811 PH: (607) 642-9905</p>	<p><b>HARRISON'S ANTIQUES</b> Heisey, Cambridge, Duncan Shows, Mail, by Appointment 26 Johnston's Lane, Mercersburg, PA 17236 PH: (717) 328-2451</p>	<p><b>SUM OF LIFE</b> Elaine &amp; Frank Husted P.O. Box 102 Phoenixville, PA 19460 PH: (215) 935 2962</p>	
<p><b>CHARLES &amp; MILDRED FISHER</b> Heisey, Degenhart, Imperial, Antiques, Collectibles, General Line 991 Idlewild, Newark, OH 43055 PH: (614) 522 5398</p>	<p><b>NANCY'S ANTIQUES</b> Heisey, Cambridge, Fostoria, Fenton Elegant Glassware of the Depression Era 906 44th NW Canton, OH 44709 shows only PH (216) 492-2595 After 6:00 PM</p>	<p><b>ETTELMAN'S DISCONTINUED</b> CHINA &amp; CRYSTAL HEISEY a SPECIALTY P.O. Box 6491-HN Corpus Christi, TX 78411 PH: (512) 888-8391 Include SASE</p>	<p>One of these spaces could be yours.</p>
<p><b>DAVE'S ANTIQUES</b> Specializing in Heisey Shows &amp; Appointments Tampa, FL 33600 PH: (813) 876 0580</p>		<p><b>THE GLASS CONNECTION</b> Specializing in Heisey Shows &amp; Mail Order Box 526, Collegeville, PA 19426 PH: (215) 489 0139</p>	
<p><b>DIAMOND H PLUS</b> Mail Orders &amp; Shows George &amp; Eileen Schamel Rt. 3, Box 171, Boonsboro, MD 21713 PH: (301) 432 6285</p>	<p><b>J. &amp; R. COLLECTIBLES</b> Shows, SASE, Mail Order list June &amp; Ray Lukasko P.O. Box 1030, Newark, OH 43055 PH: (614) 344-9719</p>	<p><b>THE GLASS LADY</b> Week-Ends Only Glass, Pottery, China Circle Shopping Center, Richmond, VA 23224 SHOP (804) 230-9239 HOME (804) 271-1555</p>	
<p><b>ELLIZABETH BASSETT CASON</b> 401 32nd St., W Bradenton, FL 33505 Mail Order List PH: (813) 748 0851</p>	<p><b>PATTON HOUSE</b> Heisey &amp; Duncan Miller Rocky's Mall, I-81 &amp; US 11 Weyer's Cave, VA 24486 PH: (703) 967-1181</p>	<p><b>WILLEY'S ANTIQUES &amp; MUSEUM</b> Specializing in Heisey 11110 Cannon Rd., Frazeyburg, OH 43822 16 miles east of Newark, OH PH: (614) 828-2557</p>	
<p><b>FOREVER HEISEY</b> Shows and Mail Order Janice Thran 1663 Londondale Pkwy., Newark, OH 43055 PH: (614) 344 5955</p>	<p><b>GRETA * GARBO</b> Antiques and Collectibles Heisey, Crystal, Silver, Jewelry Unicorn Mall, 310 Fifth Ave., San Diego, Ca. 92101 Greta Jennings - Home (619) 562-5745</p>	<p><b>GOLDSBERRY'S ANTIQUES</b> Heisey a Specialty Shows only - Buy &amp; Sell Kalamazoo, MI 49000 PH: (616) 381 3013</p>	
<p><b>DIE KUNST GALLERIES &amp; ANTIQUES</b> Specializing in Heisey Vel &amp; Andy Andress Box 329, 725 Front Street Leavenworth, WA 98826 PH: (509) 548 7856</p>	<p><b>PEGGY'S ANTIQUES</b> Ernie &amp; Peggy Cox P.O. Box 367, Spavinaw, OK 74366 By Appointment or Chance PH: (918) 589 2859</p>	<p><b>THE WOODEN SHOE</b> Antiques &amp; Collectibles Jim &amp; Sheri VanEs by Appt. 810 Elden, Herndon, VA 22070 PH: (703) 435 9045</p>	
<p><b>HOMETOWN TREASURES</b> P.O. Box 1859, Jackson, MI 49204 Phone: 517-782-8955 Cal and Dot Meyer "Heisey's the Thing"</p>	<p><b>CRAFTS ENTERPRISES</b> Arlene &amp; Ed Crafts 187 N Pioneer Ave. Shavertown, PA 18708 PH: (717) 675-8553</p>	<p><b>BETTY'S ICE HOUSE ANTIQUES</b> Betty &amp; Elmer Puestow 517 Fulton Street, Wausau, Wis. 54401 Heisey &amp; Quality Glass PH (715) 848-7145</p>	



• Jeanette • Roseville • American Dinnerware • Fostoria •

• Homer Laughlin • Lancaster • McKee •

**GLASS FANTASIES**  
**"A Rainbow of Color"**

Depression Era

**GLASS, CHINA & POTTERY**  
**SHOW & SALE**

October 18th  
 10 a.m. to 4 p.m.

For Information Call 561-0209

Admission: \$1.75 With Flyer: \$1.50

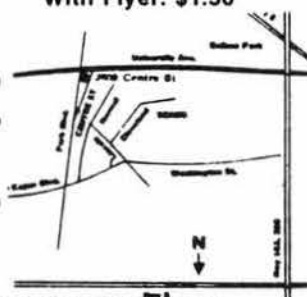
Craftsmen Hall,  
 3909 Centre St., San Diego  
 (near corner of University & Park Blvd.)

Presented by The Greater  
 San Diego Depression Glass Club

**Something for Everyone!**

Collector Search Service  
 10 a.m. - 2 p.m. Glass Identification  
 Table - By Club Members

Discount Collector Books  
 Door Prizes Every Hour



**HEISEY GLASSWARE DISPLAY**  
**BY SAN DIEGO COUNTY HEISEY**  
**COLLECTORS STUDY CLUB**



ESTABLISHED 1971

The GLASS REVIEW Magazine is for everyone who studies, collects or sells glass. Whether your glass interests lean toward the early 1900's--or the depression era--or with today's limited glass items, the GLASS REVIEW covers it all!

Articles--price reports--original catalog documentation--shop directory--research and reproduction news--trademark information--glass book releases--what's new on the market--a large variety of glass ads (on both old and new glass)--plus much more.

Enclose payment and mail to:  
 GLASS REVIEW, P.O. Box 542, MARIETTA,  
 OH 45750

**NOW 12 ISSUES**  
**PER YEAR!**

- 1 Year - 12 issues - \$15.95
- 2 Years - 24 issues - \$29.95

WESTMORELAND, DEPRESSION GLASS, ETC., ETC., HEISEY, DUNCAN,

**5TH ANNUAL**  
**ALL GLASS SHOW & SALE**

Sponsored by the  
 Connecticut Heisey Collectors Club

BENEFIT OF THE NATIONAL  
 HEISEY MUSEUM

\*\*\*\*\*

**SATURDAY**  
**NOV. 1, 1986**

10:00 a.m. to 5:00 p.m.

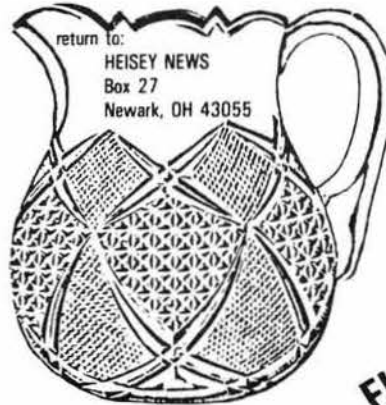
**SUNDAY**  
**NOV. 2, 1986**

10:00 a.m. to 4:00 p.m.

\*\*\*\*\*

**National Guard Armory**  
 590 Woodruff Street  
 Southington, CT

**ADMISSION — \$2.00**  
 with this Ad — \$1.50  
 I-84 to Exit 32 South (Rt. 10)  
 To Hobart Street — Right on to Pleasant St. —  
 Left to Armory



FIRST CLASS MAIL  
 U.S. POSTAGE  
 PAID  
 PERMIT 741  
 Mt. Vernon, OH 43050

**FIRST-CLASS MAIL**

CARNIVAL GLASS, CAMBRIDGE, IMPERIAL, FENTON, FOSTORIA, NEW MARTINSVILLE